



# ARCHERY AUSTRALIA

## INCORPORATED

### SHOOTING RULES

June, 2022

Editorial and other changes since 1 January, 2019

Date	Rule	Nature of Changes
May, 2022	8.4	Deletion – duplication with 8.1.1
May, 2022	8.1.1	Editorial changes – delete “such as” and (in 2 <sup>nd</sup> para) “all”
May, 2022	12.6.7	Alteration of equipment failure provision in clout
May, 2022	Various	Changes to Age Classes
May, 2022	Various	Editorial – gender-specific general text removed
Dec, 2021	3.1	Set aside for 2022, trialling a new National Calendar format
Sep, 2021	Schedule 9A	Editorial – added VI Outdoor round & VI 30m round
Jun, 2021	Schedule 9A	Added the Mini Canberra round & the AA20/720 round
Jun, 2021	12.3.3, renumbered as 12.3.1.2	Correction - The Clout: deleted “, corresponding to the colours of a standard target face”
Jan, 2021	7.19.3	Add names of Officials to events in electronic scoring system
Oct, 2020	Schedules 4.B.1 & 9A	Added WABB50/720 round
Jan, 2020	Ch 15	Complete update of Crossbow Chapter
Jan, 2020	7.4.1	Minimum of 6 archers from two clubs for Open Tournament or 10 from one
Feb, 2019	7.20.6	Correction: 1076 to 1075
Jan, 2019	4.3	Fixed handicap changed to floating handicap
Jan, 2019	12.2.9	Minimum overshoot zone - clout

*Any editorial changes are to correct (generally typographical) errors that do not require any formal approvals as the alterations are simply to ensure the Rules reflect the Board’s approved intention.*

## OUR VISION

*Archery, a sport for all, for life*

## OUR MISSION

**We exist to**

***Lead and support the archery community to access, enjoy, contribute to, and succeed across all levels of the sport.***

---

### **Archery Australia Inc**

FOUNDED 1948

INCORPORATED 1984

INCORPORATED IN THE AUSTRALIAN CAPITAL TERRITORY

---

#### **All correspondence to:**

The Chief Executive Officer

PO Box 54, Panania NSW 2213

T: 02 9772 2995

E: [info@archery.org.au](mailto:info@archery.org.au)

W: [www.archery.org.au](http://www.archery.org.au)

---

# ARCHERY AUSTRALIA INCORPORATED

## SHOOTING RULES

1 June, 2022

### Contents

Page

<b>Book 2: General Administrative Procedures (Shooting Rules)</b> .....	<b>7</b>
<b>Chapter Three: Championships</b> .....	<b>7</b>
3.1 Championships .....	7
3.3 Postponements/Cancellations .....	9
3.2 Awards .....	8
3.4 Records .....	9
3.5 Flight Archery Championships .....	9
<b>Chapter Four: Records, Classifications, Ratings &amp; Handicaps</b> .....	<b>10</b>
4.1 Records .....	10
4.1.1 Records – General .....	10
4.1.2 Categories .....	11
4.1.3 Recognition of Records .....	11
4.1.4 International .....	11
4.1.5 Recognised Governing Body Records .....	12
4.1.6 Clubs .....	12
4.2 Classification System .....	12
4.2.1 General .....	12
4.2.2 Organisation .....	12
4.2.3 Outdoor Target Archery .....	13
4.2.4 Indoor Target Archery .....	14
4.2.5 Field Archery .....	15
4.2.6 Clout Archery .....	16
4.3 Handicaps .....	16
4.3.1 Handicap Procedures for Target Events .....	16
4.3.2 Field Handicaps .....	17
4.3.3 Clout Handicaps .....	17
<b>Schedule Four: Ratings, Records, Classifications</b> .....	<b>18</b>
Schedule 4A Classification Tables .....	18
Schedule 4B Rounds for Which Records May Be Shot .....	22
Schedule 4B.1 Tournament Records – Outdoor Target Archery .....	22
Schedule 4B.2 Tournament Records Outdoor Target Archery (continued) .....	23
Schedule 4B.3 Tournament Records – Field Archery .....	24
Schedule 4B.4 Field Rounds .....	25
Schedule 4B.5 Tournament Records - Clout Archery .....	26
Schedule 4B.6 Tournament Records – Indoor Target Archery .....	27
<b>Chapter Five: Trophies, Prizes, Medals and Performance Awards</b> .....	<b>28</b>
5.1 Conditions of Awards .....	28
5.2 Australian Star Awards .....	28
5.3 Claim Period for Australian Star, WA Star and Arrowhead Awards .....	28
5.4 Perfect Medals and Pins .....	29
5.5 Medals .....	31
5.6 Holders of Stocks of Perfect Ten, All Gold Medals and Field Pins .....	31
<b>Chapter Six: Administration</b> .....	<b>32</b>
6.1 Legal Liability .....	32
6.1.1 General .....	32
6.1.2 Fees .....	32
6.1.3 Individual's Responsibility .....	32
6.1.4 Public and Products Liability Indemnity Insurance .....	33

6.2	Anti-Doping .....	33
6.3	Member Protection .....	33
6.4	Special Rules .....	34
6.5	Violation of These Rules .....	34
6.6	Interpretation of These Rules .....	34
6.7	Amendments .....	35
Book 3: Competition Regulations.....		36
<b>Chapter Seven: Management of Competitions.....</b>		<b>36</b>
7.1	Competitions .....	36
7.2	Eligibility Code for Competitors & Team Officials .....	36
7.2.2	Para-archery - Australia .....	36
7.2.3	Para-archers .....	37
7.3	Athlete Residential Status .....	38
7.4	Open Tournaments.....	38
7.5	Postal Tournaments .....	39
7.6	Score Sheets .....	39
7.7	Disciplines.....	40
7.8	Classes .....	40
7.9	Divisions.....	41
7.10	Categories.....	43
7.11	Dress Regulations .....	45
7.12	Organising Committees .....	45
7.13	Target Assignments .....	46
7.14	Entries.....	46
7.15	Postponements .....	47
7.16	Competitions .....	47
7.17	Coaching .....	48
7.18	Teams .....	48
7.19	Tournament Officials .....	49
7.20	Scorers .....	49
7.21	Questions and Disputes.....	50
7.22	Appeals .....	50
7.23	Consequences of Breaking Rules.....	50
7.24	Jury of Appeal .....	51
<b>Chapter Eight: Athletes' Equipment .....</b>		<b>52</b>
8.1	General .....	52
8.2	Longbow .....	52
8.3	Barebow Compound Equipment .....	54
8.4	Crossbow Equipment.....	<b>Error! Bookmark not defined.</b>
APPENDIX 8A – Recurve Bow .....		57
APPENDIX 8B – Compound Bow .....		58
APPENDIX 8C – Arrow .....		59
<b>Chapter Nine: Outdoor Target Archery.....</b>		<b>60</b>
9.1	Rounds.....	60
9.2	Range Layouts.....	60
Range Layout for Minor Events.....		62
<b>Schedule Nine: Outdoor Target Archery.....</b>		<b>63</b>
Schedule 9A Official Target Archery Rounds.....		63
Schedule 9B Unofficial Target Archery Rounds – Historical.....		65
<b>Chapter Ten: Indoor Target Archery .....</b>		<b>68</b>
10.1	Rounds.....	68
Schedule 10A Indoor Target Archery Rounds – Current .....		70
Unofficial Indoor Target Rounds - Historical .....		70
<b>Chapter Eleven: Field Archery .....</b>		<b>71</b>
11.1.1	Field Archery Rounds.....	71
11.1.2	World Archery Field Archery Rounds .....	71
<b>Chapter Twelve: Clout Archery.....</b>		<b>76</b>
12.1	Clout Archery Rounds.....	76
12.2	Range Layout .....	76

12.3	Venue Equipment .....	77
12.4	Athletes' Equipment .....	78
12.5	Shooting Control and Safety .....	78
12.6	Order of Shooting and Timing Control .....	79
12.7	Shooting.....	80
12.8	Scoring .....	80
12.9	Ties .....	82
<b>Schedule Twelve: Clout Archery .....</b>		<b>83</b>
Schedule 12A Clout Archery Distances .....		83
Schedule 12B Target Captain's Duties .....		83
APPENDIX 12A – The Clout Flags.....		84
APPENDIX 12B – The Clout Target .....		84
APPENDIX 12C – The Clout Cord .....		85
<b>Chapter Thirteen: Flight Archery .....</b>		<b>86</b>
13.1	Rounds.....	86
13.2	Range layout.....	86
13.3	Athletes' Equipment.....	86
13.4	Shooting Control and Safety.....	89
13.5	Order of Shooting and Timing Control .....	89
13.6	Shooting.....	90
13.7	Scoring .....	90
<b>Chapter Fourteen: Novelty Events.....</b>		<b>92</b>
14.1	Wand Shooting .....	92
14.2	The Wand Shoot .....	92
14.3	Wand Targets .....	92
14.4	Athletes' Equipment.....	92
14.5	Special.....	92
14.6	Shooting.....	92
14.7	Ties .....	92
14.8	Distances .....	92
14.9	Archery Golf.....	93
14.10	The Venue.....	93
14.11	Venue Equipment .....	93
14.12	Athletes' Equipment.....	93
14.13	Special.....	93
14.14	Shooting.....	94
14.15	Scoring .....	94
14.16	Time Shoot .....	95
14.17	Archery Darts.....	95
14.18	Venue Equipment .....	95
14.19	Shooting.....	95
Book 4: Crossbow Regulations .....		96
<b>Chapter Fifteen: Crossbow .....</b>		<b>96</b>
15.1	Introduction.....	96
15.2	Glossary of Terms .....	96
15.3	Disciplines.....	98
15.4	Classes .....	98
15.5	Divisions.....	98
15.6	Arbalest Equipment.....	100
15.7	Arbalest Classification .....	99
15.8	Special Provisions .....	102
15.9	An Arbalest's Responsibility for Safety .....	102
15.10	Arbalests shall not: .....	102
15.11	Records.....	103
15.12	Outdoor Target .....	103
15.13	Indoor Target.....	103
15.14	Field .....	103
15.15	Clout .....	104
SCHEDULE 15A	OUTDOOR TARGET ROUNDS .....	105



SCHEDULE 15B	INDOOR TARGET ROUNDS.....	107
SCHEDULE 15C	CLOUT ROUNDS.....	107
SCHEDULE 15D	ROUNDS FOR WHICH RECORDS MAY BE SHOT .....	107
SCHEDULE 15E	CROSSBOW CLASSIFICATION RATINGS.....	110
SCHEDULE 15F	CROSSBOW RATING TABLES (Refer to The Archer's Diary) .....	110

## Book 2: General Administrative Procedures (Shooting Rules)

### Chapter Three: Championships

---

#### 3.

##### 3.1 Championships

**Please note: the Board of Archery Australia has, for 2022, set aside these provisions, pending a trial of a new National Calendar format.**

National Championships shall be conducted annually and shall be organised and conducted in line with the respective National Championships Guidelines for each event, as amended by the Archery Australia Board from time to time.

Separate guidelines are available for the National Archery Championships, National Youth Archery Championships, National Indoor Archery Championships, National Crossbow Championships, Australian Open Archery Championships and National Matchplay Series.

##### 3.1.1 National Archery Championships

The guiding principles for the National Archery Championships are:

- Events that cater for all members irrespective of Category or ability
- The rounds that are shot reflect the history of the sport and the general activities practised at RGB and club levels such as Target, Field and Clout.

##### 3.1.2 National Youth Archery Championships

The guiding principles for the National Youth Archery Championships are:

- Events that cater for all members irrespective of Category or ability
- The rounds that are shot reflect the history of the sport and the general activities practised at RGB and club levels such as Target, Field and Clout.

##### 3.1.3 National Indoor Archery Championships

The guiding principles for the National Indoor Archery Championships are:

- Events that cater for all members irrespective of Category or ability
- The rounds that are shot reflect the history of the sport and the general activities practised at RGB and club levels.

##### 3.1.4 National Crossbow Championships

The guiding principles for the National Crossbow Championships are:

- Events that cater for all members irrespective of Category or ability
- The rounds that are shot reflect the history of the sport and the general activities practised at RGB and club levels.

##### 3.1.5 Australian Open Championships

The Australian Open Championships shall be conducted annually and shall be organised and conducted in line with the Australian Open National Championships Guidelines, as amended by the Archery Australia Board from time to time.

The guiding principles behind the Australian Open Championships are:

- A cutting-edge event aimed at catering for the elite and aspiring athletes in the sport of Archery within Australia and around the world
- An event limited in entry by performance with events that reflect the World Plan of World Archery

### 3.1.6 National Matchplay Series and Finals

The Archery Australia Matchplay Series and Finals shall be conducted annually and shall be organised and conducted in line with the National Matchplay Series Guidelines, as amended by the Archery Australia Board from time to time.

The guiding principles behind the National Matchplay Series and Finals are:

- A cutting-edge event aimed at catering for the elite and aspiring athletes in the sport of Archery within Australia and around the world
- An event limited in entry by performance in Qualification events that reflect the World Plan of World Archery

### 3.1.7 <sup>1</sup>National Para and VI Archery Championships

The guiding principles for the National Para & VI Archery Championships are:

- Target events that cater for all members who have been classified
- The rounds that are shot are consistent with World Archery

### 3.1.8 National Para & VI Indoor Archery Championships

The guiding principles for the National Para & VI Indoor Archery Championships are:

- Events that cater for all members who have been classified
- The required rounds are those shot at the National Indoor Archery Championships, having regard to World Archery Rules

### 3.1.9 Australian Field Archery Open

The Australian Field Archery Open shall be conducted annually and shall be organised and conducted in line with the Australian Field Archery Open Guidelines, as amended by the Archery Australia Board from time to time.

The guiding principles behind the Australian Field Archery Open are:

- An event aimed at catering for the elite and aspiring athletes in the sport of Archery within Australia and around the world
- An event limited in entry by performance in Qualification events

## 3.2 Awards

### 3.2.1 Individual Events

The individual Championship Awards shall be the Association Medallion awarded to first (gold), second (silver) and third (bronze) placegetters in each event.

A visitors' medal will be awarded for all non-Association placegetters.

---

<sup>1</sup> 3.1.7, 3.1.8 & 3.1.9 effective 1 January, 2018



If a visitors' medal is awarded, this will be in addition to the Association Medallions awarded to Association members.

Competitors with a disability and competing in distinct events will be awarded Association medals unless they are visitors, in which case visitors' medals will be awarded.

#### 3.2.2 Team Event

A plaque together with a Gold Medal shall be awarded to the winning team and presented to each team member.

#### 3.2.3 Best All Round Athlete Award

A plaque shall be awarded to the winning athlete.

### 3.3 Postponements/Cancellations

The Archery Australia Tournament and Management Policy will apply.

### 3.4 <sup>2</sup>Records

The results shall be taken from the approved Results and Scoring Program. For those aspects not indicated in the approved Results and Scoring Program (e.g. RGB Teams results), complete copies shall be submitted at the conclusion of the Championships for inclusion on the Archery Australia website.

### 3.5 Flight Archery Championships

The Board may receive applications from Organising Committees wishing to conduct annual (or otherwise) Flight Archery Championships and grant permission, subject to such conditions as it may determine.

The format and conduct of the National Flight Archery Championships will be determined at that time.

---

<sup>2</sup> effective 1 January, 2018

## Chapter Four: Records, Classifications, Ratings & Handicaps

---

### 4.

#### 4.1 Records

##### 4.1.1 Records – General

4.1.1.1 A performance recorded by an <sup>3</sup>individual affiliate of the Association for a score (including a perfect score) that betters (or equals) a previously recorded score shall be recognised as an Australian record, provided that it was shot in strict accordance with these Rules.

4.1.1.2 A score shot by an individual affiliate of the Association while competing in a National or International Championship or World Archery approved tournament outside of Australia may also be recognised as an Australian Record; provided that adequate evidence of the score and the bona fides of the open tournament are provided to the Tournament and Records Committee.

4.1.1.3 <sup>4</sup>Except as provided for in 4.1.1.2, a record may be established in an <sup>5</sup>open tournament conducted by a recognised body, provided that:

- Such organisation at the time was affiliated to the Association and an RGB, *and*
- There were at least three members of the Association participating in the scoring and witnessing process
- For target and indoor, this third person may include an archer from an adjoining target; for field, this may be a person authorised by the Chair of Judges to accompany the archers, for the purpose of witnessing the scoring
- The tournament is conducted in line with the definition of an open tournament (refer Chapter 7)

4.1.1.4 <sup>6</sup> Except as provided for in 4.1.1.2, the score sheet containing the complete score or performance of the athlete creating the Record, certified by the athlete and a scorer, (and which may be a scanned copy) together with a link to the electronic results; must be received by the Tournament and Records Committee within two calendar months of the open tournament or QRE, and submitted via the club and RGB concerned.

4.1.1.5 Questions relating to omissions and errors may be raised with the Chair, Tournament and Records Committee for a period of up to six months from the completion of the open tournament. After the six month period has expired there can be no further discussion. See also Clause 5.3, paragraph 2.

4.1.1.6 Except for the 36-arrow distance records listed in Schedule 4B and the 24-bolt distance records listed in Schedule 15D, a National Record may

---

<sup>3</sup> "Individual" Affiliate effective 1 January, 2018

<sup>4</sup> 4.1.1.3 amended, effective 1 January, 2018

<sup>5</sup> "open tournament" added throughout, effective 1 January, 2018

<sup>6</sup> 4.1.1.4 amended, effective 1 January, 2018

only be claimed for the round actually shot. Records for other rounds which could be derived from that round cannot be claimed.

- 4.1.1.7 The performance for any Class (age group) that is better than the record for a higher age group (except 50+, 60+ & 70+) shall be the Record for the higher age group. For 50+, 60+ & 70+, a performance that is better than the record for the open group shall be the open record.
- 4.1.1.8 For WA (World Archery) Indoor Rounds all Compound athletes shall shoot the inner ten, with the exception of Barebow Compound athletes.
- 4.1.1.9 A Flight Record that is better than the record for a higher bow weight Class shall be the record for that class.
- 4.1.2 Categories
- 4.1.2.1 Australian Records shall be in two categories:
- National Championships
  - Tournament
- 4.1.2.2 <sup>7</sup>A National Championships Record shall be one which is established in an event listed in Clause 3.1, conducted in accordance with these rules and approved by the Association.
- 4.1.2.3 All National Championship Record claims are the sole responsibility of the Tournament and Records Committee (referencing official electronic results and checked against the score sheets).
- 4.1.2.4 Except as permitted in 4.1.1, a Tournament Record shall be one which is established in an open tournament in accordance with Archery Australia rules.
- 4.1.2.5 An Australian Record can be claimed for rounds and distances as listed in Schedule 4B and Schedule 15D.
- 4.1.3 Recognition of Records
- 4.1.3.1 The Tournament and Records Committee shall examine every claim for a record and may require further evidence.
- 4.1.3.2 The athlete concerned and each RGB shall be advised of the granting of an Australian Record.
- 4.1.3.3 A list of the existing Records and Records granted during the year shall be included in the Tournament and Record Committee's Annual Report to the Archery Australia AGM.
- 4.1.3.4 Only Archery Australia approved score sheets shall be recognised when submitting record claims.
- 4.1.4 International
- 4.1.4.1 If an Australian Record is better than the recognised World Archery World Record or other International Record, whichever may be appropriate, or the Record of any Continental Region in which Australia may be included;

---

<sup>7</sup> 4.1.2.2 – 4.1.2.4 amended, effective 1 January, 2018

the Association shall lodge the requisite claim for the recognition of such a record. The Tournament and Records Committee shall be responsible for the processing of all claims.

#### 4.1.5 Recognised Governing Body Records

4.1.5.1 RGBs may maintain RGB records but the records to be maintained and any other conditions to be imposed are at the sole discretion of that RGB.

4.1.5.2 An RGB Record shall be the best performance recorded within that RGB's jurisdiction.

#### 4.1.6 <sup>8</sup>Clubs

4.1.6.1 Clubs may maintain Club records but the records that are to be maintained and any other conditions to be imposed are at the sole discretion of that Club.

4.1.6.2 A Club Record shall be the best performance recorded within that Club's jurisdiction.

## 4.2 Classification System

### 4.2.1 General

4.2.1.1 There shall be ten Classification levels available:

- White
- Black
- Blue
- Red
- Gold
- Master Bowman
- Grand Master Bowman
- Elite Bronze
- Elite Silver
- Elite Gold

4.2.1.2 Classifications are available for Target, Indoor, Field and Clout.

4.2.1.3 The performance relevant to each Classification shall be adopted from that stated in Schedule 4A.

4.2.1.4 An athlete upon Classification or upon re-classification shall be entitled to wear the Classification Badge for that Class.

4.2.1.5 Athletes attaining Elite Gold, Elite Silver, Elite Bronze, Grand Master Bowman or Master Bowman Classifications shall requalify each calendar year to obtain the Classification award/s for that year.

4.2.1.6 The Rating Table has been determined using the formula developed by Archery Australia and held by the Archery Australia CEO.

### 4.2.2 Organisation

---

<sup>8</sup> 4.1.6 added, effective 1 January, 2018

- 4.2.2.1 The administration of the Classification system shall be the responsibility of club officials. No central register shall be maintained by the Association, except in the case of Elite Gold, Elite Silver, Elite Bronze, Grand Master Bowman and Master Bowman. All relevant scores in support of Elite Gold, Elite Silver, Elite Bronze, Grand Master Bowmen and Master Bowmen claims should be lodged with the Tournament and Records Committee through respective RGB Recorders for final ratification.
- 4.2.2.2 Claims for the award of Elite Gold, Elite Silver, Elite Bronze, Grand Master Bowman and Master Bowman Classifications shall be submitted by that athlete's club, certifying that the conditions have been observed.
- 4.2.2.3 Separate awards appropriate for Target, Field, Indoor and Clout Archery will be awarded to each athlete, who is entitled to wear it/them whether the athlete remains in that Classification or not. The Elite Gold, Elite Silver, Elite Bronze, Grand Master Bowman and Master Bowman awards shall be marked to indicate the year of registration in that Classification.
- 4.2.2.4 Initial grading or upgrading occurs immediately the necessary scores have been shot in that calendar year.
- 4.2.2.5 An athlete shall advance to a higher Classification immediately the necessary qualifying scores have been shot.
- 4.2.3 Outdoor Target Archery
- 4.2.3.1 To attain an Outdoor Target Archery Classification an athlete shall shoot, during the calendar year and under Archery Australia and/or World Archery Rules, three Target Archery Rounds from those listed in Schedule 9A at equal to, or higher than, the required rating levels listed in Schedule 4A.1 and obtained using The Archer's Diary Rating Calculator or such other calculator, as approved by the Board from time to time.
- 4.2.3.2 Gold, Red, Blue, Black and White Awards
- These awards can be claimed shooting any round listed in Schedule 9A with a minimum of 72 arrows
  - To claim these awards the score can be shot in an open tournament, QRE or a shoot organised by a club and listed on the club's calendar
  - These awards can only be claimed once for each class and division
  - Any distance may be shot to claim these awards.
- 4.2.3.3 Master, Grand Master, Elite Bronze, Elite Silver, Elite Gold Awards
- Master and Grand Master awards can be claimed annually with a minimum of one round being shot in an open tournament or QRE
  - Elite Bronze, Elite Silver and Elite Gold awards can be claimed annually with a minimum of the three rounds shot in an open tournament or QRE
  - Each open tournament or QRE shall consist of 72 arrows or more, the round shall include at least 30 arrows at a distance as listed below, or longer.

### **RECURVE**

- Male, Female, 50+, 60+, 70+, Under 21, Under 18 – 60 metres – 122 cm Target Face
- Under 16 and Under 14 – 40 metres – 122 cm Target Face

### **COMPOUND**

- Male, Female, 50+, 60+, 70+, Under 21, Under 18 – 60 metres – 122 cm Target Face or 50 metres – 80 cm Target Face
- Under 16 and Under 14 – 40 metres – 122 cm Target Face

### **BAREBOW RECURVE AND BAREBOW COMPOUND**

- Male, Female, 50+, 60+, 70+, Under 21 and Under 18 – 50 metres – 122 cm Target Face
- Under 16 and Under 14 - 40 metres – 122 cm Target Face

### **LONGBOW**

- Male and Female, 50+, 60+, 70+, Under 21 - 50 metres – 122 cm Target Face
- Under 18, Under 16 and Under 14 - 40 metres – 122 cm Target Face

4.2.3.4 <sup>9</sup>There must be at least three current financial affiliates (members) of Archery Australia participating in the shooting and scoring process. For target and indoor, this third person may include an archer from an adjoining target; for field, this may be a person authorised by the Chair of Judges or QRE Official to accompany the archers, for the purpose of witnessing the scoring.

#### **4.2.4 Indoor Target Archery**

4.2.4.1 To attain an Indoor Target Archery Classification an athlete must shoot during the calendar year and under Archery Australia and/or World Archery rules, three rounds equal to or better than the ratings listed in Schedule 4A.1 and obtained using The Archer's Diary Rating Calculator or such other calculator, as approved by the Board from time to time.

#### **4.2.4.2 Gold, Red, Blue, Black and White Awards**

- To claim these awards the score can be shot in an open tournament, QRE or a shoot organised by a club and listed in the club calendar
- These awards can only be claimed once for each class and division.

#### **4.2.4.3 Master, Grand Master, Elite Bronze, Elite Silver and Elite Gold Awards**

- Master and Grand Master awards can be claimed annually with a minimum of one round being shot in an open tournament or QRE
- Elite Bronze, Elite Silver and Elite Gold awards can be claimed annually with a minimum of the three rounds being shot in an

---

<sup>9</sup> 4.2.3.4 amended, effective 1 January, 2018

open tournament or QRE.

#### 4.2.5 Field Archery

4.2.5.1 To attain a Field Archery Classification, an athlete must shoot during the calendar year and under Association or World Archery Rules three field rounds equal to or higher than the ratings in Schedule 4A.1 and obtained using The Archer's Diary Rating Calculator or such other calculator, as approved by the Board from time to time.

#### 4.2.5.2 Gold, Red, Blue, Black and White awards

- To claim these awards the score can be shot in an open tournament, QRE or a shoot organised by a club and listed in the club calendar
- These awards can only be claimed once for each class and division.

#### 4.2.5.3 Master, Grand Master, Elite Bronze, Elite Silver and Elite Gold awards

- Master and Grand Master awards can be claimed annually with a minimum of one round being shot in an open tournament or QRE
- Elite Bronze, Elite Silver and Elite Gold awards can be claimed annually with a minimum of the three rounds being shot in an open tournament or QRE. One of these rounds must be shot at the Nationals, Youth Nationals, or an international tournament.

Field classifications may be achieved for the WA Field Archery Rounds where a minimum of 12 targets and a maximum of 24 targets are shot – either Marked or Unmarked.

Rounds containing 12 targets Marked, plus 12 targets Unmarked, will also be recognised for Classification purposes.

#### 4.2.6 Clout Archery

4.2.6.1 To attain a Clout Archery Classification, an athlete must shoot during the calendar year and under Archery Australia and/or World Archery Rules three clout rounds equal to or higher than the scores in Schedule 4A.2 from the distances as listed in Schedule 12A.

4.2.6.2 Gold, Red, Blue, Black and White awards

- To claim these awards the score can be shot in an open tournament, or a shoot organised by a club and listed in the club calendar.
- These awards can only be claimed once for each class and division.

4.2.6.3 Master, Grand Master, Elite Bronze, Elite Silver and Elite Gold awards

- Master and Grand Master awards can be claimed annually with a minimum of one round being shot in an open tournament
- Elite Bronze, Elite Silver and Elite Gold awards can be claimed annually with a minimum of the three rounds being shot in an open tournament.

### 4.3 Handicaps

4.3.1 <sup>10</sup>Handicap Procedures for Target Events

4.3.1.1 The handicap system is based on ratings. Ratings for Target Archery Rounds are calculated in “the Calculator” (i.e. The Archer's Diary Rating Calculator or such other calculator, as approved by the Board from time to time).

4.3.1.2 The administration of Handicaps is the responsibility of club officials and is only offered by the Association as part of Book 2 General Administration Procedures and Book 3 Competition Regulations.

4.3.1.3 Athletes are eligible for a handicap once they have shot a minimum of three rounds in a Discipline within the same Division. The handicap is calculated using the ratings derived from the Calculator.

4.3.1.4 Using the Calculator, the athlete’s rating may then be used to determine the handicap allowance for that athlete for a particular target round; it is the difference between the possible score and the athlete's expected performance according to the athlete’s rating. This allowance would be added to the athlete’s actual score in a handicap event.

4.3.1.5 There may be a minimum handicap rating for a restricted event. This will be determined by the body conducting the shoot.

4.3.1.6 An athlete in a handicap event may only win that athlete’s Classification e.g. all Blue Award athletes are competing on a handicap basis against each other. The Classification winners are determined by adding the athletes’ allowances to their actual scores. The highest total wins.

---

<sup>10</sup> Effective 1 January, 2019 Handicap Ratings references The Archer's Diary & adjusts via a “rolling” review



- 4.3.1.7 Clubs using the system may decide not to include the Classification restrictions, particularly if the number of athletes is small.
- 4.3.1.8 Athletes' ratings will be adjusted by the Calculator when they record scores to a different standard than their existing rating. It will be adjusted by half the improvement unless the improvement figure is an odd number; in this situation the adjustment will be by the nearest whole number less than the improvement.<sup>11</sup>
- 4.3.1.9 Each athlete's handicap will be calculated based on the ratings achieved in the 12 months prior to the date of the event. If the athlete has less than 10 ratings recorded in this period, then up to the last 10 ratings will be used, irrespective of the dates the ratings were achieved. A handicap will be calculated as long as the minimum number of ratings has been recorded (refer 4.3.1.3).
- 4.3.1.10 An athlete who competes in more than one Division will have a separate handicap for each Division in the Calculator.
- 4.3.2 Field Handicaps
  - 4.3.2.1 Handicap ratings for Field Archery events shall be calculated in the same manner as for Target Archery events, using the Calculator.
- 4.3.3 Clout Handicaps
  - 4.3.3.1 Handicap allowances for Clout Archery shall be determined by subtracting the average score from the last 5 rounds shot (6 ends) from the possible score of 360.

---

<sup>11</sup> 4.3.1.8 – 10 amended February, 2018 to reflect "floating" handicaps provided within The Archer's Diary, effective 1 January, 2019

## Schedule Four: Ratings, Records, Classifications

### Schedule 4A Classification Tables

#### Schedule 4A.1 Outdoor Target Archery, Indoor Target Archery & Field Archery

The following tables indicate the Rating Levels to be used for Classifications for Outdoor Target Archery, Indoor Target Archery and Field Archery. Using the Rating Level listed for your Category (i.e. Division (bow type) and Class (age group)) refer to The Archer's Diary to determine the score required for the round being shot.

#### RECURVE

Classification	Elite Gold	Elite Silver	Elite Bronze	Grand Master	Master	Gold	Red	Blue	Black	White
Male	100	95	90	85	80	75	65	55	45	35
Female	95	90	85	80	75	70	60	50	40	30
50+, 60+, 70+ Male	95	90	85	80	75	70	60	50	40	30
50+, 60+, 70+ Female	90	85	80	75	70	65	55	45	35	25
Under 21 Male	95	90	85	80	75	70	60	50	40	30
Under 21 Female	90	85	80	75	70	65	55	45	35	25
Under 18 Male	85	80	75	70	65	60	50	40	30	20
Under 18 Female	80	75	70	65	60	55	45	35	25	15
Under 16 Male	80	75	70	65	60	55	45	35	25	15
Under 16 Female	75	70	65	60	55	50	40	30	20	10
Under 14 Male	75	70	65	60	55	50	40	30	20	10
Under 14 Female	75	70	65	60	55	50	40	30	20	10

**COMPOUND**

Classification	Elite Gold	Elite Silver	Elite Bronze	Grand Master	Master	Gold	Red	Blue	Black	White
Male	110	105	100	95	90	85	75	65	55	45
Female	105	100	95	90	85	75	65	55	45	35
50+, 60+, 70+ Male	105	100	95	90	85	75	65	55	45	35
50+, 60+, 70+ Female	100	95	90	85	80	75	65	55	45	35
Under 21 Male	105	100	95	90	85	75	65	55	45	35
Under 21 Female	100	95	90	85	80	75	65	55	45	35
Under 18 Male	95	90	85	80	75	65	55	45	35	25
Under 18 Female	90	85	80	75	70	60	50	40	30	20
Under 16 Male	90	85	80	75	70	60	50	40	30	20
Under 16 Female	85	80	75	70	65	55	45	35	25	15
Under 14 Male	85	80	75	70	65	55	45	35	25	15
Under 14 Female	85	80	75	70	65	55	45	35	25	15

**BAREBOW RECURVE**

Classification	Elite Gold	Elite Silver	Elite Bronze	Grand Master	Master	Gold	Red	Blue	Black	White
Male	85	80	75	70	65	60	55	45	35	25
Female	80	75	70	65	60	55	50	40	30	20
50+, 60+, 70+ Male	80	75	70	65	60	55	50	40	30	20
50+, 60+, 70+ Female	75	70	65	60	55	50	45	35	25	15
Under 21 Male	80	75	70	65	60	55	45	35	25	15
Under 21 Female	75	70	65	60	55	50	45	35	25	15
Under 18 Male	70	65	60	55	50	45	40	30	20	10
Under 18 Female	65	60	55	50	45	40	35	25	15	10
Under 16 Male	65	60	55	50	45	40	35	25	15	10
Under 16 Female	60	55	50	45	40	35	30	20	10	
Under 14 Male	60	55	50	45	40	35	30	20	10	
Under 14 Female	60	55	50	45	40	35	30	20	10	

**BAREBOW COMPOUND**

Classification	Elite Gold	Elite Silver	Elite Bronze	Grand Master	Master	Gold	Red	Blue	Black	White
Male	90	85	80	75	70	65	60	50	40	30
Female	85	80	75	70	65	60	55	45	35	25
50+, 60+, 70+ Male	85	80	75	70	65	60	55	45	35	25
50+, 60+, 70+ Female	80	75	70	65	60	55	50	40	30	20
20 & Under Male	85	80	75	70	65	60	55	45	35	30
20 & Under Female	80	75	70	65	60	55	50	40	30	20
Under 18 Male	75	70	65	60	55	50	45	35	25	15
Under 18 Female	70	65	60	55	50	45	40	30	20	10
Under 16 Male	70	65	60	55	50	45	40	30	20	10
Under 16 Female	65	60	55	50	45	40	35	25	15	10
Under 14 Male	65	60	55	50	45	40	35	25	15	10
Under 14 Female	65	60	55	50	45	40	35	25	15	10

**LONGBOW**

Classification	Elite Gold	Elite Silver	Elite Bronze	Grand Master	Master	Gold	Red	Blue	Black	White
Male	75	70	65	60	55	50	45	35	25	15
Female	70	65	60	55	50	45	40	30	20	10
50+, 60+, 70+ Male	70	65	60	55	50	45	40	30	20	10
50+, 60+, 70+ Female	65	60	55	50	45	40	35	25	15	10
20 and Under Male	70	65	60	55	50	45	40	30	20	10
20 and Under Female	65	60	55	50	45	40	35	25	15	10
Under 18 Male	60	55	50	45	40	35	30	20	10	
Under 18 Female	55	50	45	40	35	30	20	10		
Under 16 Male	55	50	45	40	35	30	20	10		
Under 16 Female	50	45	40	35	30	25	15	10		
Under 14 Male	50	45	40	35	30	25	15	10		
Under 14 Female	50	45	40	35	30	25	15	10		

**Schedule 4A.2 Clout Archery**

The scores are as follows:

<b>Classification</b>	<b>Score</b>
Elite - Gold	335
Elite - Silver	325
Elite - Bronze	315
Grand Master	305
Master	285
Gold	265
Red	245
Blue	225
Black	195
White	175

**Schedule 4AA Rating Tables – refer to *The Archer’s Diary* (<http://archersdiary.com/Ratings.aspx>)**

*(For a print version of the Ratings Tables, refer to The Archer’s Diary)*

**Schedule 4B Rounds for Which Records May Be Shot**

**Schedule 4B.1 Tournament Records – Outdoor Target Archery**

Event	Open		50+		60+, 70+		Under 21		Under 18		Under 16	Under 14
	Male	Female	Male	Female	Male	Female	Male	Female	Male	Female	M/F	M/F
<b>Target Rounds</b>												
WA90/1440	RC						RC					
WA70/1440	B	RC	RC				B	RC	RC			
WA60/1440	L	B	B	RCB	RCB		L	B	RCB	RC		
AA50/1440		L	L	L	L	RCBL		L	L	BL	RC	
AA40/1440											BL	RCBL
WA70/720	RC <sup>12</sup> PR	RC PR	RC	RC			RC	RC				
WA60/720					RC	RC			RC	RC		
WA50/720	C PC	C PC	C	C	C	C	C	C	C	C		
AA50/720 WABB50/720	BL	BL	RCBL	RCBL	RCBL	B	BL	BL	B	B		
AA40/720						RCBL			L	BL	RC	
AA30/720											BL	RCBL
Individual Matchplay	RC PC PR	RC PC PR	RC	RC	RC	RC	RC	RC	RC	RC	RC	RC
Team Matchplay	RC PC PR	RC PC PR	RC	RC	RC	RC	RC	RC	RC	RC	RC	RC
Mixed Team	RC PC PR											
Canberra <sup>13</sup> WA 60/900	RCBL	RCB	RCB	RCB	RCB		RCBL	RCB	RCB	RC		
Short Canberra		L	L	L	L	RCBL		L	L	BL	RC	
Junior Canberra											BL	RCBL
VI Outdoor <sup>14</sup>	VI											
VI 30m Round	VI											
VI Olympic Round	VI											

Table – R Recurve C Compound PR Para Recurve PC Para Compound  
 B Barebow Recurve and Barebow Compound L Longbow VI VI Combined

<sup>12</sup> Included Para-archery (effective 1 January, 2018)

<sup>13</sup> WA60/900 used for WA Registered events & QREs only– use Canberra in all others

<sup>14</sup> Added VI Rounds, effective 1 January, 2018

**Schedule 4B.2 Tournament Records Outdoor Target Archery (continued)**

(Distance record shot as part of a 144-Arrow Round)

Event	Open		50+		60+, 70+		Under 21		Under 18		Under 16	Under 14
	M	F	M	F	M	F	M	F	M	F	M/F	M/F
<b>Distance 36 Arrows 122 cm Faces</b>												
90m	RC							RC				
70m	RCB	RC	RC					RCB	RC	RC		
60m	BL	RCBL	RCBL	RCBL	RCB			BL	RCBL	RCB	RC	
50m	L	BL	BL	RCBL	RCBL	RCBL		L	BL	BL	RCBL	RCBL
40m					L	RCBL				L	BL	RCBL
30m	VI											RCBL
<b>Distances 36 Arrows 80 cm Faces</b>												
50m	RCB	RCB	RC					RCB	RC	RC		
40m	L	BL	RCBL	RCBL	RCB			L	BL	B	RC	
30m	RCBL	RCBL	RCBL	RCBL	RCBL	RCBL		RCBL	RCBL	RCBL	RCBL	RCBL
30m	VI											
20m		L	L	L						L	BL	RCBL
<b>Distances 36 Arrows 60 cm Faces</b>												
30m	VI											

- Legend:**
- R = Recurve
  - C = Compound
  - B = Barebow Recurve, Barebow Compound
  - L = Longbow
  - <sup>15</sup>VI = VI Combined

<sup>15</sup> Added VI Combined, effective 1 January, 2018

**Schedule 4B**

**Schedule 4B.3 Tournament Records – Field Archery**

National Field (28T)	All Divisions (Recurve, Compound, Barebow Recurve, Barebow Compound and Longbow) – refer table next page  (Hunters Round - All athletes shoot from the same peg – no different coloured pegs or distances)
WA Field (2 x 24T Marked) WA Field (24T Marked) WA Field (24T Unmarked)	All Divisions (Recurve, Compound, Barebow Recurve, Barebow Compound and Longbow)  Athletes shoot from the pegs in the table shown below

Class	Recurve	Compound	Barebow Recurve	Barebow Compound	Longbow
Male	Red	Red	Blue	Blue	Yellow
Female	Red	Red	Blue	Blue	Yellow
50+, 60+, 70+ Male	Red	Red	Blue	Blue	Yellow
50+, 60+, 70+ Female	Red	Red	Blue	Blue	Yellow
Under 21 Male	Red	Red	Blue	Blue	Yellow
Under 21 Female	Red	Red	Blue	Blue	Yellow
Under 18 Male	Blue	Blue	Yellow	Yellow	Yellow
Under 18 Female	Blue	Blue	Yellow	Yellow	Yellow
Under 16 Male	Blue	Blue	Yellow	Yellow	Yellow
Under 16 Female	Blue	Blue	Yellow	Yellow	Yellow
Under 14 Male	Yellow	Yellow	Yellow	Yellow	Yellow
Under 14 Female	Yellow	Yellow	Yellow	Yellow	Yellow



**Schedule 4B**

**Schedule 4B.4 Field Rounds**

Class	WA Field Marked/Unmarked (12-24 Targets)			Archery Australia (28T National) Field Rounds			
	Red	Blue	Yellow	Red	Blue	Yellow	Hunters
Male	RC	B	L	RC	B	L	RCBL
Female	RC	B	L	RC	B	L	RCBL
50+, 60+, 70+ Male	RC	B	L	RC	B	L	RCBL
50+, 60+, 70+ Female	RC	B	L	RC	B	L	RCBL
Under 21 Male	RC	B	L	RC	B	L	RCBL
Under 21 Female	RC	B	L	RC	B	L	RCBL
Under 18 Male		RC	BL		RC	BL	RCBL
Under 18 Female		RC	BL		RC	BL	RCBL
Under 16 Male		RC	BL		RC	BL	RCBL
Under 16 Female		RC	BL		RC	BL	RCBL
Under 14 Male			RCBL			RCBL	RCBL
Under 14 Female			RCBL			RCBL	RCBL

**Legend:**  
 R = Recurve  
 C = Compound  
 B = Barebow Recurve, Barebow Compound  
 L = Longbow

**Schedule 4B**

**Schedule 4B.5 Tournament Records - Clout Archery**

Clout Archery records may be claimed for single (36 arrows) and double (72 arrows) rounds for all Divisions from the following distances:

<b>Class</b>	<b>180m</b>	<b>165m</b>	<b>145m</b>	<b>125m</b>	<b>100m</b>
<b>Male</b>	Compound	Recurve Barebow Compound	Longbow Barebow Recurve		
<b>Female</b>		Compound	Recurve Barebow Compound	Longbow Barebow Recurve	
<b>50+, 60+, 70+ Male</b>	Compound	Recurve Barebow Compound	Longbow Barebow Recurve		
<b>50+, 60+, 70+ Female</b>		Compound	Recurve Barebow Compound	Longbow Barebow Recurve	
<b>Under 21 Male</b>	Compound	Recurve Barebow Compound	Longbow Barebow Recurve		
<b>Under 21 Female</b>		Compound	Recurve Barebow Compound	Longbow Barebow Recurve	
<b>Under 18 Male</b>		Compound	Recurve Barebow Compound	Longbow Barebow Recurve	
<b>Under 18 Female</b>			Compound	Recurve Barebow Recurve Barebow Compound Longbow	
<b>Under 16 Male &amp; Female</b>			Compound	Recurve Barebow Compound	Longbow Barebow Recurve
<b>Under 14 Male &amp; Female</b>				Compound	Recurve Barebow Recurve Barebow Compound Longbow

**Schedule 4B****Schedule 4B.6 Tournament Records – Indoor Target Archery**

Event	Open Age	50+, 60+, 70+	Under 21	Under 18	Inter	Under 14
18m WA Indoor	RCBL PR PC	RCBL	RCBL	RCBL	RCBL	RCBL
25m WA Indoor	RCBL	RCBL	RCBL	RCBL	RCBL	RCBL
Combined WA Indoor	RCBL	RCBL	RCBL	RCBL	RCBL	RCBL
Australian Indoor 1 (18m)	RCBL PR PC	RCBL	RCBL	RCBL	RCBL	RCBL
Australian Indoor 2 (25m)	RCBL	RCBL	RCBL	RCBL	RCBL	RCBL
Combined Australian Indoor 1 & 2	RCBL	RCBL	RCBL	RCBL	RCBL	RCBL
VI Indoor Round	VI					

<sup>16</sup>**Legend:**

- R = Recurve
- C = Compound
- PR = Para Recurve
- PC = Para Compound
- B = Barebow Recurve, Barebow Compound
- L = Longbow
- VI – VI Combined

---

<sup>16</sup> Added PR, PC & VI, effective 1 January, 2018

## Chapter Five: Trophies, Prizes, Medals and Performance Awards

---

### 5.

#### 5.1 Conditions of Awards

- 5.1.1 The Board shall determine the acceptance of and the conditions under which, each trophy or prize shall be awarded. If it becomes necessary to vary the conditions under which a donated trophy is competed for, such new conditions shall be as close as possible to the conditions or ideas of the donor or with their consent, may be applied for some other purpose or event.

#### 5.2 Australian Star Awards

##### 5.2.1 Awards and Conditions

- 5.2.1.1 A medal known as the Australian Star award shall be presented to all athletes who cannot claim a WA Star Award due to the Rounds or equipment they shoot, for their first achievement of the following score in equivalent Outdoor Target rounds held in conjunction with WA Star Tournaments and shot to these terms and conditions.

- 5.2.1.2 The equivalent rounds are as listed for Outdoor Target under Chapter 3, National Championships (Clause 3.1.3) for Barebow, Longbow, Crossbow and all 50+, 60+ & 70+ events; Clause 3.2.4 Under 16 Male & Female, Under 14 Male & Female.

- 5.2.1.3 The award shall be issued only once for the score achieved, regardless of Division/Classification.

##### 5.2.2 Division Award Scores

- Recurve and Compound – 1000, 1100, 1200, 1300, 1350, 1400
- Barebow Recurve and Compound – 800+ in increments of 100
- Crossbow – 750, 800, 830, 860, 890, 920
- Longbow – 600, 700, 800, 900, 1000, 1100

##### 5.2.3 The Australian Star Medal

- 5.2.3.1 The Australian Star Medal shall be in the design of an eight (8) pointed star with an insert. The insert on the Medal shall be inscribed with the appropriate score.

##### 5.2.4 Effective Date

- Recurve, Compound and Longbow – 1 January, 2001
- Crossbow – 1 January, 2005
- Barebow Recurve and Barebow Compound – 1 April, 2005

#### 5.3 Claim Period for Australian Star, WA Star and Arrowhead Awards

- 5.3.1 The following timing conditions apply to all claims for WA Star Awards, WA Arrowhead Awards and WA Target Awards and Archery Australia Star awards:

1. All claims shall be made to the Chair – Tournament and Records Committee within 2 months of the completion of the event.

2. Questions relating to omissions or errors may be raised with the Chair – Tournament and Records Committee for a period of up to six months from the completion of the event. After the six month period has expired there can be no further claims or discussion.  
See also Clause 4.1.1.4

## **5.4 Perfect Medals and Pins**

### **5.4.1 The Award and Conditions**

1. There shall be medals namely:

Six Ten which shall to be known as Perfect Tens (10s), Six Gold which shall to be known as All Gold

The awards shall be available in gold, silver and bronze, for Outdoor Target, Indoor Target and Clout Archery.

2. These medals may be awarded more than once for each medal type, colour, face size and distance regardless of Division/Class.
3. There shall be pins awarded for Field Archery, which are to be known as Field 15 Pins and Field 20 Pins.  
This pin may be awarded more than once for each pin regardless of Division/Class and Field Archery Round.
4. These medals and pins shall only be awarded under the conditions determined in Rule 5.4
5. Archery Australia shall bear no cost for the awarding of these medals and pins and they shall be self-funded.

### **5.4.2 Gold Perfect Ten and All Gold Medals**

1. A gold Perfect Ten or All Gold Medal shall only be awarded for the distances in rounds listed in Chapter 3 and shot at National Championships.
2. The Archery Australia Tournament and Records Committee shall be the administrator of these medals, but may authorise the Organising Committees of National Championships to award them for the duration of that event only.

### **5.4.3 Silver Perfect Ten and All Gold Medals**

1. A silver Perfect Ten or All Gold Medal shall only be awarded for distances in a round that is shot at an event at which RGB Championships titles are decided, namely the State Target, Indoor Target and Clout Archery Championships.
2. RGB Recorders shall be the administrators of these medals.

### **5.4.4 Bronze Perfect Ten and All Gold Medals**

1. A bronze Perfect Ten or All Gold medal shall be awarded for distances in a round shot at meeting organised by an organisation that the Association is affiliated with, or organised by the Association or a body affiliated with the Association, etc, RGB or a tournament/event

organised by a club or an associated club day for which the round is scheduled and where there were at least three members of the Association participating in the scoring and witnessing process.

2. Club Recorders shall be the administrators of these medals.

#### 5.4.5 Field Archery Pins

1. Field Archery Pins shall be awarded for any distance shot in a Field Archery Round listed in Schedule 4B.3 and at:

- tournaments/events organised by an Association affiliated with, or organised by the Association or a body affiliated with the Association, RGB

*OR*

- A tournament organised by a club or an associated club competition, for which a Field Archery Round is scheduled; and there shall be at least three members of the Association participating in the scoring and witnessing process.

2. RGB or Club Recorders shall be the administrators of these pins.

#### 5.4.6 Perfect Ten Medals

1. A Perfect Ten medal shall be awarded for six arrows that score ten points (including any Xs) that are shot in one end of six or two consecutive ends of three arrows which are in ends that are multiples of six arrows (i.e. arrow numbers 1-6, 7-12, 13-18, etc) of a distance or round.
2. Athletes who have to shoot rounds that have four and two bolt ends shall be awarded the same Perfect Ten medal as the athletes (for six arrows) and shall comply with all other conditions for the awarding of that medal. Two bolt ends are to be in two consecutive ends that are multiples of four bolts (i.e. bolt numbers 1-4, 5-9, 10-12, etc) of a distance or round.

#### 5.4.7 All Gold Medals

1. An All Gold medal shall be awarded for an end of six arrows or two ends of three arrows that all score the value of the yellow area (nine or more) (known as the gold) of the target face. Three arrow end claims are to be in two consecutive ends that are multiples of six arrows (i.e. arrow numbers 1-6, 7-12, 13-18, etc) of a distance or round.
2. Athletes who have to shoot rounds that have four and two bolt ends shall be awarded the same All Gold medal as the athletes (for six arrows) that score nine points or more and shall comply with all the other conditions for the awarding of that medal. Two bolt ends are to be in two consecutive ends that are multiples of four bolts (i.e. bolt numbers 1-4, 5-9, 10-12, etc) of a distance or round.

#### 5.4.8 Field Archery Pins

1. A Field Archery Pin shall be awarded for a complete end of three or four arrows that all score the value (5) of the yellow area (known as the gold) of the field face.
2. There shall be a Field 15 Pin for WA Field Marked/Unmarked Rounds where there are three-arrow ends and a score of 15 is shot on one end.
3. There shall be a Field 18 Pin for WA Field Marked/Unmarked Rounds where there are three-arrow ends and a score of 18 is shot on one end.
4. There shall be a Field 20 Pin for Hunters & National Field where there are four-arrow ends and a score of 20 is shot on one end.
5. To be awarded any of the above pins the round/s have to be equal to or higher than the rounds listed in Schedule 4B.3 for the athlete's division/class.

#### 5.4.9 Distances and Target Face Sizes

The distances and face sizes for which Perfect Ten and All Gold medals shall be awarded shall be determined by Archery Australia Inc. from time to time.

### 5.5 Medals

- 5.5.1 The design of the Perfect Ten and All Gold Medals shall be determined by the Board from time to time. The inserts on the above medals shall be inscribed with the appropriate distance and indicate the face size.
- 5.5.2 The design of the Field Pins shall be determined by the Board from time to time.

### 5.6 Holders of Stocks of Perfect Ten, All Gold Medals and Field Pins

1. Only the Archery Australia Tournament and Records Committee shall hold stocks of the gold Perfect Ten and All Gold medals.
2. Only the Archery Australia Tournament and Records Committee and RGB Recorders shall hold stocks of the silver Perfect Ten and All Gold medals.
3. The Archery Australia Tournament and Records Committee, RGB Recorders and Club Recorders may hold stocks of bronze Perfect Ten and All Gold medals and both Field Pins.

## Chapter Six: Administration

---

### 6.

#### 6.1 Legal Liability

##### 6.1.1 General

1. The activities of the Association, including the conduct of any event by or on behalf of the Association or any Affiliate Member, are carried out in accordance with the Association's rules on the basis they are regulated only by sportsmanship, goodwill, fair play and the laws of Australia, its States and Territories.<sup>17</sup>
2. An organisation conducting an activity<sup>18</sup> for and on behalf of the Association or any RGB affiliated with the Association, shall take all reasonable precautions to ensure the safety of athletes, officials, spectators and equipment.
3. Non-members of the Association present at any activity described in this Rule are responsible for their own safety. All such persons shall comply with any request or direction given by any official or other person in authority at the activity and, in default of compliance, shall immediately leave the area where the activity is being carried out.

##### 6.1.2 Fees<sup>19</sup>

Refer to clause 1.9.3 of the Archery Australia Constitution.

##### 6.1.3 Individual's Responsibility<sup>20</sup>

Individuals shall

1. Not knowingly use any equipment that is unsound, shoot upwards into the air except in an authorised activity of that nature, draw a bow with an arrow or release it otherwise than at the target provided, or shoot at any time if any person is visibly within the field of play or shooting range.
2. Not, when drawing back the string of their bow, use any technique which, in the opinion of the Judges/Director of Shooting/Club Official, could allow the arrow, if accidentally released, to fly beyond a safety zone or safety arrangements (overshoot area, net, wall, etc.) and shall be warned they are breaching the rules and requested to alter their technique.

If the archer persists in using such a technique, the archer shall, in the interests of safety, be requested by the Judge/Director of Shooting/Club Official to stop shooting immediately and leave the field of play.

Not use in any archery activity a bow (other than a crossbow) that, in the case of a compound bow has a peak draw weight exceeding 60lbs, or in the

---

<sup>17</sup> 6.1.1 amended, effective 1 January, 2018

<sup>18</sup> "event" replaced with "activity" throughout, effective 1 January, 2018

<sup>19</sup> 6.1.2 amended, effective 1 January, 2018

<sup>20</sup> 6.1.3 amended (high draw & bow draw weight limit), effective 1 January, 2018



case of any other bow, a maximum draw weight exceeding 60lbs as measured at the archer's draw length.

In addition, at tournaments

3. No person shall go forward of the athletes or pass behind or in the vicinity of the targets, or the ground; or be close to the athletes whilst shooting or scoring other than provided within these Rules.
4. <sup>21</sup>The DoS or officiating Judge may require an athlete to either repair unsafe equipment or leave the line. Athletes acting in a manner prejudicial to safety may also be required to retire.
5. The DoS or officiating Judges are authorised to take any reasonable action at any time for reasons of safety.
6. Participating athletes are required to draw any unsafe practices to the attention of tournament officials.

#### 6.1.4 Public and Products Liability Indemnity Insurance<sup>22</sup>

The Association shall purchase and maintain appropriate insurance cover for the Association and its entities, the extent and value of which shall be reviewed by the Board from time to time.

## 6.2 Anti-Doping<sup>23</sup>

- 6.2.1 Archery Australia's Anti-Doping Policy complies with ASADA, WADA and World Archery Anti-Doping requirements.
- 6.2.2 If at any time ASADA, WADA or World Archery Anti-Doping requirements change, those changes take immediate effect and take precedence over the Archery Australia Anti-Doping Policy.
- 6.2.3 Athletes may be tested at any time, in line with Anti-Doping Policy.
- 6.2.4 Entry into any National Tournament, Open Tournament, QRE or Team Selection Tournament shall be conditional in that, an athlete when requested, shall submit to any Anti-Doping Test conducted by the appropriate authority.
- 6.2.5 Disciplinary action can and will be taken against a person who is found in breach of the Archery Australia Anti-Doping Policy.
- 6.2.6 If the athlete is a member of a team, the competition or event during which the infringement occurred shall be forfeited by that team.

The remaining team members may compete in individual capacities.

## 6.3 Member Protection<sup>24</sup>

- 6.3.1 Archery Australia is committed to providing a safe environment free from harassment and abuse:

---

<sup>21</sup> 6.1.3 4 & 5 amended, effective 1 January, 2018

<sup>22</sup> 6.1.4 amended, effective 1 January, 2018

<sup>23</sup> 6.2 re-written, effective 1 January, 2018

<sup>24</sup> 6.3 re-writtten, effective 1 January, 2018

1. All persons, whatever their age, culture, disability, gender, language, racial origin, religious belief and/or sexual identity, have the right to practice our sport in a fair and open manner, free from any form of discrimination, harassment or abuse.
2. Anyone who is employed by the Association, represents it, is engaged in its activities or anyone with whom it deals, has the right to be treated with dignity and respect.
3. Harassment or abuse in the organisation will not be tolerated.
4. All complaints will be taken seriously and it will ensure that complaints within the Association's jurisdiction are dealt with promptly, seriously, sensitively and above all, confidentially.
5. The Archery Australia Member Protection Policy and supporting Policies and Procedures specify the requirements to be satisfied.

6.3.2 Disciplinary action can and will be taken against a person who is found in breach of the Archery Australia Member Protection Policy.

#### **6.4 Special Rules<sup>25</sup>**

6.4.1 The Archery Australia Board may approve the conduct of open tournaments or activities under special or experimental rules or conditions.

6.4.2 Details of such tournaments or activities must be first approved by the Archery Australia Board to ensure appropriate insurance coverage and safety compliance.

6.4.3 Records in such tournaments will not be recognised unless all existing rules (as opposed to experimental rules) are complied with in every respect.

#### **6.5 Violation of These Rules<sup>26</sup>**

6.5.1 An individual repeatedly violating any Archery Australia Rule, Policy, Procedure or Guideline and/or World Archery Rules after receiving appropriate warnings may be disqualified from further participation in the particular activity or Open Tournament, forfeiting any fees, scores or awards.

6.5.2 Such conduct shall be reported to the Archery Australia, RGB, Club or Organising Committee (as appropriate) by the DoS or official involved.

#### **6.6 Interpretation of These Rules**

The Board shall be the final authority on the interpretation of these Rules (refer to Article 2.16 Rules of the Constitution on the role of the Constitution & Rules Committee).

---

<sup>25</sup> 6.4 re-written, effective 1 January, 2018

<sup>26</sup> 6.5 re-written, effective 1 January, 2018

## **6.7 Amendments**

All Articles other than the Constitution and Rules of Constitution may be modified at the Board's discretion. Any amendments or modifications to the Rules shall be passed by a two thirds majority of those members of the Board present and entitled to vote and voting.

## Book 3: Competition Regulations

### Chapter Seven: Management of Competitions

---

#### 7.

##### 7.1 Competitions<sup>27</sup>

- 7.1.1 These Rules are intended to regulate the conduct of archery as a pastime, recreation and sport in accordance with the spirit and honourable traditions of that most ancient sport and shall be read in conjunction with World Archery Rules, WCSA Rules and any relevant Archery Australia Policy, Procedure and Guidelines.
- 7.1.2 Open tournaments registered with Archery Australia must be conducted strictly with Archery Australia Rules, Policies, Procedures or Guidelines and those World Archery or WCSA Rules which are applicable to the tournament.
- 7.1.3 Activities or tournaments which do not comply with the requirements for Open Tournaments, even though listed on a Recognised Governing Body's (RGB) or Club's calendar, may be conducted under such rules as designated by the host, so long as those rules or limitations are clearly stated on the entry form.
- 7.1.4 As a condition of entry, all Archery Australia Safety Rules and Requirements shall be fully complied with.

##### 7.2 Eligibility Code for Competitors & Team Officials

- 7.2.1 Those persons competing or officiating under the auspices of Archery Australia shall meet the "Eligibility Code for Competitors and Team Officials" as laid down by World Archery and the IOC as determined from time to time.
- 7.2.2 Para-archery - Australia<sup>28</sup>
- Archery Australia is committed to the promotion of para-archery.
- Para-archers shall be classified by accredited Classifiers and recognised at the National level and shall have a Classification document.
- Arrangements for classification can be made through the Archery Australia office.
- Para-athletes who are classified, at least at a National level of recognition, are recognised for titles or records in a para-archery category at registered Archery Australia events.
- Para-athletes must be classified and produce classification documentation at equipment inspection.

---

<sup>27</sup> 7.1 re-written, effective 1 January, 2018

<sup>28</sup> 7.2.2 added, effective 1 January, 2018

*(Note: Classification for para-archery means evaluation by an accredited Classifier with respect to physical abilities and the assignment of the appropriate Class to that archer. This includes the provision of a classification document that identifies the assigned class and any permitted assistive devices.)*

The definitions of para-archer classes and competitions only for para-archers are consistent with current World Archery definitions and descriptions.

### 7.2.3 Para-archers<sup>29</sup>

Archery Australia recognises the following Para-archery classes, classified by Archery Australia and/or World Archery Classifiers:

- Recurve Open (Individual)
  - Men
  - Women
- Compound Open (Individual)
  - Men
  - Women
- W1 Open (Recurve/Compound)
  - Men
  - Women

The following are classified by IBSA Classifiers:

- VI 1 (Visually Impaired)
- VI 2/VI 3 Combined (Visually Impaired)

- Compound Open
  - Men
  - Women
- Recurve Open
  - Men
  - Women
- W1 Open
  - Men
  - Women
- Visually Impaired (VI)

There are two common VI archery divisions:

- VI 1 athletes wear a blind fold
- VI 2/VI 3 who do not wear blindfold

7.2.3.1 <sup>30</sup>Equipment Rules for Para and VI – refer to World Archery

7.2.3.2 <sup>31</sup>Rounds - refer to World Archery

---

<sup>29</sup> 7.2.3 added, effective 1 January, 2018

<sup>30</sup> 7.2.3.1 effective 1 January, 2018

<sup>31</sup> 7.2.3.2 effective 1 January, 2018

### 7.3 Athlete Residential Status

- 7.3.1 To be eligible to compete in any event or tournament at Club, Regional or National level an athlete must
- (a) be able to meet the entry requirements of the event or tournament
  - (b) subject to 7.3.1.1, be a financial member of the Association and have been a resident in Australia for at least three months
  - (c) sign in and present proof\* of current membership prior to the commencement of competition.
- (\* Proof means a current membership card issued by Archery Australia (or relevant organisation - refer 7.3.1.1) or (if the card is yet to be received) an interim receipt or letter from the athlete's Club certifying that the relevant subscriptions have been paid)
- 7.3.1.1 If an event or tournament provides for cross-participation, 7.3.1(b) will not apply to World Archery affiliates or affiliates of other organisations within the Archery Alliance of Australia.
- 7.3.2 To be eligible to represent an RGB in any event or tournament an athlete shall
- (a) be a financial member of that RGB<sup>32</sup>
- 7.3.3 To be eligible to represent the Association at an international event the athlete shall
- (a) comply with World Archery and IOC eligibility codes
  - (b) be a financial member of the Association and
  - (c) have met the requirements for team selection as determined from time to time.

### 7.4 <sup>33</sup>Open Tournaments

- 7.4.1 A competition, is an open tournament if:
1. It is advertised online and open to entrants from any other affiliated Club
  2. The entry form and entering process is provided online
  3. It is registered with Archery Australia or, for international status, is also registered with World Archery
  4. A minimum of 6 people compete when there are competitors from at least two Clubs, OR  
a minimum of 10 people compete when there are competitors from only one Club<sup>34</sup>
  5. An Accredited Judge(s) officiates
  6. An Equipment Inspection is undertaken
  7. A DOS officiates (target, indoor and clout)
  8. The event is conducted in accordance with Archery Australia and World Archery Rules (and/or WCSA rules, if appropriate)

<sup>32</sup> 7.3.2(b) deleted September, 2018 (requiring residence within the RGB), effective 1 January, 2019

<sup>33</sup> 7.4.1 amended, effective 1 January, 2018

<sup>34</sup> 7.4.1 4. Minimum number changed from 10 to 6, effective 1 January, 2020

9. Archery Australia official scorecards are used, in conjunction with online scoring using the approved Results and Scoring Program
10. Placings are assigned in the results to each competitor
11. Results are validated by the presentation of awards  
AND
12. An event verification form is completed and sent to the AA Tournament and Records Committee.

- 7.4.2 Archery Australia recognises that any combination of target face and distance can comprise an event. Information on a variety of standard rounds is shown in each of the respective chapters of this rule book, however only those events listed for athletes in Schedule 4A and Schedule 15B may be used as the basis of an Association record claim.
- 7.4.3 Athletes are permitted to shoot under a structure which provides UV protection. Such structures shall not provide protection from the elements, such as rain or wind, but shall provide equal UV protection for all athletes. Structures shall not create a hazard or obstruction to athletes or officials. Such structures apply to all events, up to and including National Championships.

## 7.5 Postal Tournaments

### 7.5.1 General

A competition in which clubs hold events and forward results to the archery organisation controlling it (the conducting body) shall be a postal tournament.

The organising body shall give at least three months' notice of the complete details of the postal tournament to each Club whose members are eligible to compete and send a copy to all RGBs.

### 7.5.2 Score Sheets

One set of score sheets shall be forwarded to the conducting body within five days after the conclusion of the last event within the period of the tournament. Telegraphic/facsimile results may be used, in which case they must be confirmed by post.

Any score sheet that is incomplete, not clearly marked, or not signed or certified, shall be rejected by the conducting body. All score sheets shall be retained by the conducting body for at least twelve months.

### 7.5.3 Results

The conducting body shall forward to its RGB and each competing club a copy of the complete results.

## 7.6 <sup>35</sup>Score Sheets

- 7.6.1 Archery Australia approved scorecards must be used for all tournaments registered with Archery Australia.

---

<sup>35</sup> 7.6 added, effective 1 January, 2018

- 7.6.2 All tournaments registered with Archery Australia must have results listed “Arrow by Arrow” in the approved Results and Scoring Program. (For details refer to Tournament Management Policy.)
- 7.6.3 A copy of all scorecards must be retained by the Organisers for a period of twelve months.
- 7.6.4 As a condition of the tournament, a copy of scorecards may be required to be sent to the Archery Australia Tournament and Records Committee, RGB Recorder, or both (refer to the Tournament Management Policy or specific Tournament Guidelines).

## 7.7 Disciplines

- 7.7.1 Competitions in the sport of Archery are classified in the following Disciplines:
- Outdoor Target Archery
  - Indoor Target Archery
  - Field Archery
  - Clout Archery
  - Flight Archery

## 7.8 <sup>36</sup>Classes

- 7.8.1 The Association recognises the following Classes:
- Female (Open)
  - Male (Open)
  - 50+ Female (50-59 years)
  - 60+ Female (60-69 years)
  - 70+ Female (70 years+)
  - 50+ Male (50-59 years)
  - 60+ Male (60-69 years)
  - 70+ Male (70 years+)
  - Para Open Male Recurve
  - Para Open Female Recurve
  - Para Open Male Compound
  - Para Open Male Compound
  - Para W1 Open Male
  - Para W1 Open Female
  - VI 1 (Male/Female combined)
  - VI 2/VI 3 (Male/Female combined)
  - Under 21 Female
  - Under 21 Male
  - Under 18 Female
  - Under 18 Male

---

<sup>36</sup> 7.8.1 amended to include Para and VI (Vision Impaired), effective 1 January, 2018



- Under 16 Female
- Under 16 Male
- Under 14 Female
- Under 14 Male

7.8.2 A Youth athlete may participate in:

**Under 14 Class** when the competition/event takes place up to and including the year of the athlete's 13<sup>th</sup> birthday. Under 14 Class may participate in the Under 14, Under 16, Under 18, Under 21 or Open Class.

**Under 16 Class** when the competition/event takes place up to and including the year of the athlete's 15<sup>th</sup> birthday. Under 16 Class may participate in the Under 16, Under 18, Under 21 or Open Class.

**Under 18 Class** when the competition/event takes place up to and including the year of the athlete's 17<sup>th</sup> birthday. Under 18 Class may participate in the Under 18, Under 21 or Open Class.

**Under 21 Class** when the competition/event takes place up to and including the year of the athlete's 20<sup>th</sup> birthday. Under 21 Class may participate in the Open Class.

7.8.3 An athlete may participate in a **50+ Class** in tournaments when the competition takes place in the year of the athlete's 50<sup>th</sup> birthday and thereafter. An athlete may participate in a **60+ Class** tournament when the competition takes place in the year of the athlete's 60<sup>th</sup> birthday and thereafter. An athlete may participate in a **70+ Class** tournament when the competition takes place in the year of the athlete's 70<sup>th</sup> birthday and thereafter.

An athlete in any of these age Classes shall be eligible to compete in their own age group or a lower age (non-youth) Class.

7.8.4 A Youth, 50+, 60+ or 70+ athlete may choose to compete in the senior (open) Class at the athlete's discretion.

7.8.5 Athletes are not permitted to enter more than one concurrent event.

## 7.9 Divisions

7.9.1 Athletes using different types of bows are grouped into separate Divisions and compete in separate events.

7.9.2 At the discretion of the Organising Committee, athletes in different Divisions may be required to compete for the same awards.

7.9.3 The following Divisions are recognised for Outdoor Target, Indoor Target, Field and Clout Archery:

- Recurve Bow Division, equipment as specified in Rule 8.1
- Compound Bow Division, equipment as specified in Rule 8.1
- Barebow Recurve Division, equipment as specified in Rule 8.1
- Barebow Compound Division, equipment as specified in Rule 8.3
- Longbow Division, equipment as specified in Rule 8.2
- Crossbow Division, equipment as specified in Chapter 15

7.9.4 For Flight Archery, the following Divisions are recognised:

- Recurve Bow Flight Division, equipment as specified in Rule 13.3
- Compound Bow Flight Division, equipment as specified in Rules 13.3 and 8.3
- Freestyle Flight Division, equipment as specified in Rule 13.3
- Longbow Flight Division, equipment as specified in Rules 13.3 and 8.8
- Crossbow Flight Division, equipment as specified in Chapter 15.

The above are divided into weight Sub-Divisions and Classes as described in Rule 13.3.1.3 and Schedule 15C.3 (Crossbows).

## 7.10 Categories

The combination of a Class and a Division is called a “Category”, as follows:

<b>Recurve</b>	
Female Recurve	Under 21 Female Recurve
Male Recurve	Under 21 Male Recurve
50+ Female Recurve	Under 18 Female Recurve
50+ Male Recurve	Under 18 Male Recurve
60+ Female Recurve	Under 16 Female Recurve
60+ Male Recurve	Under 16 Male Recurve
70+ Female Recurve	Under 14 Female Recurve
70+ Male Recurve	Under 14 Male Recurve

<b>Compound</b>	
Female Compound	Under 21 Female Compound
Male Compound	Under 21 Male Compound
50+ Female Compound	Under 18 Female Compound
50+ Male Compound	Under 18 Male Compound
60+ Female Compound	Under 16 Female Compound
60+ Male Compound	Under 16 Male Compound
70+ Female Compound	Under 14 Female Compound
70+ Male Compound	Under 14 Male Compound

<b><sup>37</sup>Para Archers</b>	
Para Male (Open Recurve)	Para Female (Open Recurve)
Para Male (Open Compound)	Para Female (Open Compound)
Para W1 Male (Open)	Para W1 Female (Open)
V1 (Recurve/Compound, Male/Female)	V2/V3 (Recurve/Compound, Male/Female)

---

<sup>37</sup> Para table added, effective 1 January, 2018

<b>Barebow</b>	
Female Barebow Recurve	Under 21 Female Barebow Recurve
Male Barebow Recurve	Under 21 Male Barebow Recurve
50+ Female Barebow Recurve	Under 18 Female Barebow Recurve
50+ Male Barebow Recurve	Under 18 Male Barebow Recurve
60+ Female Barebow Recurve	Under 16 Female Barebow Recurve
60+ Male Barebow Recurve	Under 16 Male Barebow Recurve
70+ Female Barebow Recurve	Under 14 Female Barebow Recurve
70+ Male Barebow Recurve	Under 14 Male Barebow Recurve
Female Barebow Compound	Under 21 Female Barebow Compound
Male Barebow Compound	Under 21 Male Barebow Compound
50+ Female Barebow Compound	Under 18 Female Barebow Compound
50+ Male Barebow Compound	Under 18 Male Barebow Compound
60+ Female Barebow Compound	Under 16 Female Barebow Compound
60+ Male Barebow Compound	Under 16 Male Barebow Compound
70+ Female Barebow Compound	Under 14 Female Barebow Compound
70+ Male Barebow Compound	Under 14 Male Barebow Compound

<b>Longbow</b>	
Female Longbow	Under 21 Female Longbow
Male Longbow	Under 21 Male Longbow
50+ Female Longbow	Under 18 Female Longbow
50+ Male Longbow	Under 18 Male Longbow
60+ Female Longbow	Under 16 Female Longbow
60+ Male Longbow	Under 16 Male Longbow
70+ Female Longbow	Under 14 Female Longbow
70+ Male Longbow	Under 14 Male Longbow

<b>Crossbow</b>	
Female Crossbow	60+ Male Crossbow
Male Crossbow	Under 21 Female Crossbow
50+ Female Crossbow	Under 21 Male Crossbow
50+ Male Crossbow	Under 18 Female Crossbow
60+ Female Crossbow	Under 18 Male Crossbow

## **7.11** <sup>38</sup>**Dress Regulations**

7.11.1 These dress regulations shall apply to all open tournaments and QREs.

The dress regulations for all other activities shall be determined by the Organising Committee and shall be duly indicated in any entry information.

It is the responsibility of athletes to ensure they comply with these regulations.

Visiting athletes are also required to comply with the Archery Australia Dress Regulations.

7.11.2 Athletes shall be neatly and cleanly dressed. Such attire may be White, Club, RGB or National Uniform or Archery related merchandise.

7.11.3 During inclement weather conditions athletes may wear suitable protective clothing at their discretion.

7.11.4 Shoes or boots shall be worn at all times by athletes and these shall cover the entire foot; sandals or thongs are not permitted

7.11.5 Advertising or sponsors' logos are permitted.

7.11.6 The following items of clothing are not permitted:

- Clothing with inappropriate or offensive images, slogans or advertising
- Untidy, unclean, damaged or torn clothing
- Clothing with "camouflage colours", which may be trademarked or other digital designs, whether random or not and regardless of colours used, consist of natural material camouflage patterns such as bark, twigs, or leaves that are used for the purpose of blending in with natural environments thereby providing less visibility.

(Clothing with non-traditional colours such as pinks, blues, bright yellow, etc. in camouflage patterns that are used in designs for the purpose of blending in with natural environments providing less visibility are also considered camouflage.)

## **7.12** <sup>39</sup>**Organising Committees**

7.12.1 The host entrusted with the organisation of an open tournament or an event shall appoint an Organising Committee to be responsible for the control and conduct of the tournament.

7.12.2 The Organising Committee, subject to the terms of reference of the host by which it was appointed, shall be responsible for making arrangements for the tournament entrusted to them by:

---

<sup>38</sup> 7.11 amended, effective 1 January, 2018

<sup>39</sup> 7.12 amended, effective 1 January, 2018

- deciding the amount for entry fees;
- providing appropriate trophies and prizes at their discretion and any engraving thereon;
- providing facilities, equipment;
- undertaking all other functions associated with such tournaments.

7.12.3 The Organising Committee shall be in entire control of the tournament until it hands over the shooting control and conduct of events on each day to the DoS and Judges. It shall resume control at the conclusion of competition each day, provided that the Organising Committee shall always remain in control of those matters which are not connected with the conduct of the field of play.

7.12.4 Any matter not finally decided by the DoS, Judges or Field Assistants shall be determined by a Jury of Appeal or, if one is not available, by the Organising Committee.

### **7.13 Target Assignments**

7.13.1 The Organising Committee shall determine how they will assign archers to targets by either:

Determining each archer's skill level as part of the entry process and allocating archers to targets with a like skill level.

*OR*

Randomly allocating athletes at their discretion.

7.13.2 Where, in special circumstances, the assignments cannot be made in this manner, they may be drawn by lot or partly by "seeding" and by lot or by the DoS. The principle of placing athletes with similar skill at the same target should be adopted as far as is possible.

7.13.3 The number of athletes assigned to a target shall be a maximum of 4 and where practical a minimum of two in Outdoor and Indoor Target Archery and a maximum of four and where practical a minimum of three in Field Archery. The number of athletes assigned to a target in Clout Archery, where practical, there will be a maximum of twenty-five and a minimum of six.

### **7.14 Entries**

7.14.1 An entry for an event in a tournament shall be made in the real name of the athlete and entries shall close at such time before the tournament as the Organising Committee shall determine.

7.14.2 The Organising Committee may not refuse to accept, or cancel the acceptance of any entry, without stating a reason. However they may permit an archer to compete subject to inquiry.

7.14.3 The events at a National Tournament shall be open only to members of the Association. The Organising Committee may invite archers from other bodies to participate.

7.14.4 An event in a tournament shall be open to all members unless the conditions specifically restrict it by sex, age or otherwise.

- 7.14.5 An entry in a team event may be made by an authorised officer of the organisation entering the team, or by the Team Captain.
- 7.14.6 An event may take place with one competitor.
- 7.14.7 Medals will be awarded to all placegetters.
- 7.14.8 Athletes entering a Class in which they are not entitled to compete shall be disqualified from the event and not transferred under any circumstances to another Class after the event has commenced. The onus of entering correctly shall rest with the athlete concerned and the conducting body shall not be obliged to amend the entry.
- 7.14.9 Athletes may only receive awards for events in which they have entered.
- 7.14.10 Entry into events may be restricted to archers who:
- Have not recorded the stated performance in any event
  - Are in a stated classification at any nominated time
  - Have achieved or exceeded a certain stated performance.
- 7.14.11 Males shall not compete in events against Females and vice versa, with the exception of mixed team competition.

## **7.15 <sup>40</sup>Postponements**

- 7.15.1 Refer to Archery Australia Tournament Management Policy.

## **7.16 Competitions**

### **7.16.1 Lost or Broken Equipment**

- 7.16.1.1 Refer to World Archery rules and any amendments that may be introduced from time to time relating to the procedures for Equipment Failure.

### **7.16.2 Delays and Interruptions**

- 7.16.2.1 An athlete shall not hold up an event or a group whilst searching for arrows, or for any other reason.
- 7.16.2.2 A DoS shall not unduly delay any event because of a loss or breakage of tackle, searching for arrows or any other reason.
- 7.16.2.3 Shooting may be interrupted only on account of bad weather, a serious accident or in an emergency and then only by the direction of the DoS. In an emergency the Judges or Field Assistants may also interrupt the shooting.
- 7.16.2.4 Athletes shall provide themselves with sufficient equipment for proper participation in an event. If at any time they are unable to continue, refer to World Archery rules for Outdoor Target, Indoor Target and Field Archery, AA rules for Clout Archery; and WCSA rules for the appropriate procedures:

---

<sup>40</sup> 7.15 amended, effective 1 January, 2018

7.16.2.5 An athlete, correctly entered in an event, but arriving late may, at the absolute discretion of the DoS, be permitted to compete on such target, in such place or group as the athlete shall be then assigned, but shall forfeit the number of arrows already shot, unless the DoS is satisfied that the athlete was delayed by circumstances beyond the athlete's control. In which case the athlete may be allowed to make up the arrows lost after the distance then being shot has been completed. No more than 12 arrows shall be so made up.

## **7.17 Coaching**

7.17.1 Refer to current World Archery Rules and any amendments that may be introduced from time to time.

## **7.18 Teams**

### **7.18.1 Types of Teams**

There shall be two types of teams, namely:

1) **Teams Selected Prior to Shooting**

The names of members from which teams will be selected should be advised with the entry for the tournament. The composition of the team should be advised before the first day of competition of the tournament. This does not apply to National Championships.

2) **Teams Selected at Conclusion of Shooting**

The best performances of nominated athletes from the organisation participating shall constitute a team selected after shooting has concluded for that particular event or tournament. This form of team selection may be applied to team entry into a subsequent event.

### **7.18.2 Team Composition**

7.18.2.1 Team composition shall be at the discretion of the tournament organisers and clearly stated on the entry form, refer Chapter Three: Championships.

### **7.18.3 Teams General**

7.18.3.1 The team performance shall be the aggregate of the team members' scores for the event or tournament.

7.18.3.2 Teams of less than the stated number may compete as a complete team. A member of a team cannot count two or more performances in order to make up a shortage in team numbers.

7.18.3.3 An athlete who is a member of more than one club, RGB or Association must state on the entry, the body for which the athlete is competing.

### **7.18.4 Coaching**

7.18.4.1 Refer to current World Archery Rules and any amendments that may be introduced from time to time



## **7.19** <sup>41</sup>**Tournament Officials**

### **7.19.1** Director of Shooting

7.19.1.1 At tournaments, the Director of Shooting (DoS) shall direct, oversee and manage all competitions (events), the conduct of all athletes, enforce the rules applicable; and adjudicate on all competition matters not otherwise provided for.

7.19.1.2 At National and Youth National Championships, the Officials Committee, in consultation with the organisers shall appoint the DoS who, wherever possible shall be a National Judge.

7.19.1.3 The DoS will not have any other tasks during the hours of competition, nor take part in the shooting.

7.19.1.4 In liaison with the Tournament Judge Commission, the DoS may interrupt shooting if necessary due to weather conditions, power failures, a serious accident or such occurrences; but must ensure, if at all possible, each day's program is completed that day.

### **7.19.2** Judging

Refer to World Archery Rules for duties and any amendments that may be introduced from time to time.

### **7.19.3** General<sup>42</sup>

7.19.3.1 For QREs and Open Tournaments, including Archery Australia registered Tournaments, World Archery (or WCSA) Tournaments, State and National Tournaments, the names of all Officials (i.e. Director of Shooting & Judges or Event Judge) shall be entered by the event organiser into the approved electronic scoring system, within seven days of the event's completion.

7.19.3.2 To be valid, a QRE, an Archery Australia registered tournament, a World Archery (or WCSA) tournament, or a National Tournament must have the names of the Officials entered in accordance with 7.19.3.1.

## **7.20** <sup>43</sup>**Scorers**

7.20.1 Scoring at all open tournaments & QREs must be undertaken at each target using either double scorecards or one scorecard and an electronic scoring device.

7.20.2 Scorecards must be Archery Australia approved scorecards.

7.20.3 All scores must be entered into an approved Results and Scoring Program "arrow by arrow".

7.20.4 Arrow values shall be called in descending order and entered onto the scorecard and into the electronic scoring device independently. The scorer using a scorecard shall add up the arrow values and then check

---

<sup>41</sup> 7.19 amended, effective 1 January, 2018

<sup>42</sup> 7.19.3 new clause, effective 1 January, 2021

<sup>43</sup> 7.20 re-written, effective 1 January, 2018

against the electronic score. If an error is found in additions and/or totals these should be changed at this time. (If double-scorecards are used, the same general process applies.)

7.20.5 If an error is found in the entering of the value of an arrow on the scorecard, this may be changed providing no arrows have been removed from the target. Such a change can only be made by a Judge (or QRE Official at a QRE) after witnessing the arrows in the target. The Judge shall make the change in arrow value and duly sign the change in the area provided (Judges will use red ink for such changes) and ensure the other score sheet or electronic record matches.

7.20.6 At the completion of the round, the archer and one witness are to sign the scorecards, to indicate agreement with the arrow values recorded.

(Refer to Archery Australia Results and Scoring Policy - 1075).

7.20.7 A competitor with an injury, medical condition, equipment failure or personal need, which prevents them from participating in the scoring process, may appoint an agent who may be a Judge or another competing archer (on their target or neighbouring target), to carry out the scoring function(s) on their behalf. A non-competing person may only be appointed if accredited by the Organising Committee with authorisation to access the field of play for the event.

All such appointments and actions must only be undertaken with the approval of a Judge.

## **7.21 Questions and Disputes**

7.21.1 Refer to current World Archery Rules and any amendments that may be introduced from time to time.

Outdoor and Indoor Target Events: A mistake on a scoresheet discovered before the arrows are drawn may be corrected, but the correction must be made and initialled by a Judge or Director of Shooting before the arrows are drawn. If the arrows have been drawn, no corrections to the arrow values as written on the scoresheet shall be permitted.

## **7.22 Appeals**

7.22.1 Refer to current World Archery Rules and any amendments that may be introduced from time to time.

## **7.23 <sup>44</sup>Consequences of Breaking Rules**

7.23.1 Refer to current World Archery Rules and any amendments that may be introduced from time to time.

---

<sup>44</sup> 7.23 amended, effective 1 January, 2018

#### <sup>45</sup>Jury of Appeal

7.23.2 For a National level tournament, a Jury of Appeal consisting of three individual affiliates shall be appointed by the Tournament Organising Committee or organisers. These should be experienced Individual Affiliates who are not involved in the organisation, management or conduct of the tournament.

For State Championships and any open tournament, a Jury of Appeal of three individual affiliates as deemed necessary by the organisers shall be appointed.

7.23.3 Where a Jury of Appeal has not been appointed, the Organising Committee shall assume this role, having regard to eliminating real or perceived conflicts of interest.

7.23.4 All decisions of the Jury of Appeal are final.

Refer to current World Archery Rules Chapter 3 - Jury of Appeal for the appropriate procedures and duties and any amendments that may be introduced from time to time.

---

<sup>45</sup> 7.24 amended, effective 1 January, 2018

## Chapter Eight: Athletes' Equipment

---

### 8.

#### 8.1 <sup>46</sup>General

8.1.1 For all specifications relating to athletes' equipment: Recurve, Compound and Barebow Recurve, refer to current World Archery Rules and any amendments that may be introduced from time to time.

For other equipment (Barebow Compound and Longbow), refer to Archery Australia Shooting Rules. For Crossbow, refer to Chapter 15.

#### 8.2 Longbow

##### 8.2.1 The bow

8.2.1.1 The bow shall correspond to the traditional form of a longbow which means that, when strung, the string may not touch any other part of the bow but the string nocks. Two or three piece take-down bows are permitted. Centre shot is allowed.

8.2.1.2 The bow may be made from any type of material or combination of material. The shape of the grip and the limbs are not restricted.

8.2.1.3 If the bow has an arrow shelf, that shelf may be used as an arrow rest. It may be covered with any type of soft material, but conventional arrows rests as used on Recurve or Compound Bows are not permitted.

8.2.1.4 The bow as described above must be bare, except for the arrow rest, and free from protrusions, sight marks, marks or blemishes or laminated pieces (within the bow window area), which could be of use in aiming.

8.2.1.5 The un-braced bow complete with permitted accessories shall be capable of passing through a hole or ring of 12.2 cm inside diameter  $\pm 0.5$  mm.

##### 8.2.2 Bow length

8.2.2.1 For Female, Under 18s and younger Classes the bow length shall not be less than 150 cm in length and for Under 21, Open, 50+, 60+ and 70+ the bow length shall be not less than 160 cm in length. The length of a bow is measured between the string nocks on the back of the bow when the bow is unstrung.

##### 8.2.3 Arrows

8.2.3.1 An arrow consists of a shaft with head (point), nock, fletching and, if desired, cresting. All arrows of athletes shall be marked with the athlete's name or initials on the shaft. All arrows used in any one end shall be identical and will carry the same pattern and colour(s) of fletching, nocks and cresting, if any. Only natural feathers shall be used as fletching.

8.2.3.2 Arrows may be fitted with target (bullet, chisel or conical shaped) or field points (screw-in or glue on) designed for target or field shooting that do

---

<sup>46</sup> 8.1 amended, effective 1 January, 2018

not cause undue damage to target faces or butts may be used. There is no restriction on the weight of arrow points.

8.2.3.3 The maximum diameter of an arrow shaft will not exceed 9.3 mm, the point for these arrows may have a maximum diameter of 9.4 mm.

8.2.3.4 Wood and aluminium arrows are permitted, but carbon or carbon/aluminium composites are **not** permitted.

8.2.3.5 Hunting arrows or arrows fitted with hunting heads or arrowheads with a historical or traditional design are **not** permitted.

## 8.2.4 Accessories

### 8.2.4.1 Accessories permitted are:

- Finger Protection in the form of finger tabs or shooting gloves, provided they do not incorporate any device to hold back, draw and release the string. The stitching on the tabs shall be uniform in colour and marks or lines shall be uniform in size, shape and colour.
- Bracers (arm guards), dress shield, bow sling, belt or ground quiver and tassel.
- String silencers or vibration dampeners providing they shall not end within the athlete's vision at full draw.
- Vibration dampeners (limb savers), lightweight string material on the bow to act as a wind indicator.
- Foot markers are permitted providing they do not protrude more than 1 cm above the ground.
- Field Glasses, telescopes or other optical aids may be used for spotting arrows, provided they do not represent any obstacle to other athletes on the Shooting Line or Shooting Pegs.
- Prescription spectacles, shooting spectacles and sunglasses may be worn. None of these may be fitted with micro-hole in lenses, or similar devices, nor may they be marked in any way that can assist in aiming. The spectacle glass of the non-sighting eye may be fully covered or taped, or an eye patch may be used.

### 8.2.4.2 Accessories not permitted are:

- Any kind of range-finding or angle-measuring device or equipment (e.g. scales) incorporated or detached
- Sight or sight mark(s) on the bow that may assist as aids to aiming
- Weights, stabilisers or vibration dampening devices
- Draw check indicators
- Plastic or synthetic fletching
- An anchor plate or similar device attached to the finger protection (finger tabs, shooting gloves or thumb rings) for the purpose of anchoring
- Additional memoranda for estimating distances and markings on the bow or other accessories.

## 8.2.5 Shooting

- 8.2.5.1 All rules governing the Barebow Division shall apply to the Longbow Division with the exception of specific matters detailed in these rules.
- 8.2.5.2 The Longbow Division athletes shall shoot using the Mediterranean release that is, one finger above and two fingers below the arrow or three fingers directly below the arrow nock (index finger no more than 2 mm below the nock), with one fixed anchor point.
- 8.2.5.3 The athlete must choose either Mediterranean or three fingers under the nock, but may not use both.
- 8.2.5.4 Finger protection for three fingers under must have a continuous surface or connected fingerstalls, with no ability to shoot split finger. No string walking or face walking is permitted.

### **8.3 Barebow Compound Equipment**

- 8.3.1 Barebow Compound Equipment shall comply with the following:
  - 8.3.1.1 A bow of any type may be used provided that it complies with the requirements in these Rules for Compound Equipment.
  - 8.3.1.2 The bow (no shoot-through riser types are permitted) must be bare and free from any protrusions, marks, sight-marks, blemishes or laminated pieces which could be used, consciously or unconsciously, as an aiming reference. Multi coloured risers, trademarks located on the inside of the upper limb, limb savers and light weight string on the bow as a wind indicator, are permitted.
  - 8.3.1.3 One straight single rod stabiliser and weight(s), which may be fitted with a single vibration dampening device attached to either end of the rod (or weights) is permitted. The whole assembly may protrude no more than 305 mm in a straight line from the bow. Angular mounting devices are not permitted.
  - 8.3.1.4 Where a bow is manufactured without provision for a low cable-guard, then the cable guard may be fitted to the sight attachment holes. If the bow is drilled and tapped for a low cable-guard, then the low cable-guard position must be used.
  - 8.3.1.5 The bow-string made up of any number of strands (which may be of different colours) of the material chosen for the purpose. It may have a central serving to accommodate the drawing fingers (release aids are **not** permitted) and a nocking point consisting of one or two nock locaters may be added to the string serving. Suitable string termination for connection to bow or cables is permitted.
  - 8.3.1.6 The serving on the string must not end within the archer's vision at the full draw position. The bow-string and bow cables must not in any way offer additional aid in aiming through a peephole, marking, or any other means.
  - 8.3.1.7 The arrow rest may incorporate a moveable pressure button, pressure point or arrow plate and as well may be of the shoot around, shoot over or spring loaded (vertical and horizontal) style, but must not incorporate a drop away action which has the rest raised into position prior to or upon

draw using rubber tubing, spring, a cable, magnetic or mechanical set up and drops away upon release. The pressure point in all types may not be placed further back than 6 cm (inside) from the throat of the handle (pivot point) of the bow.

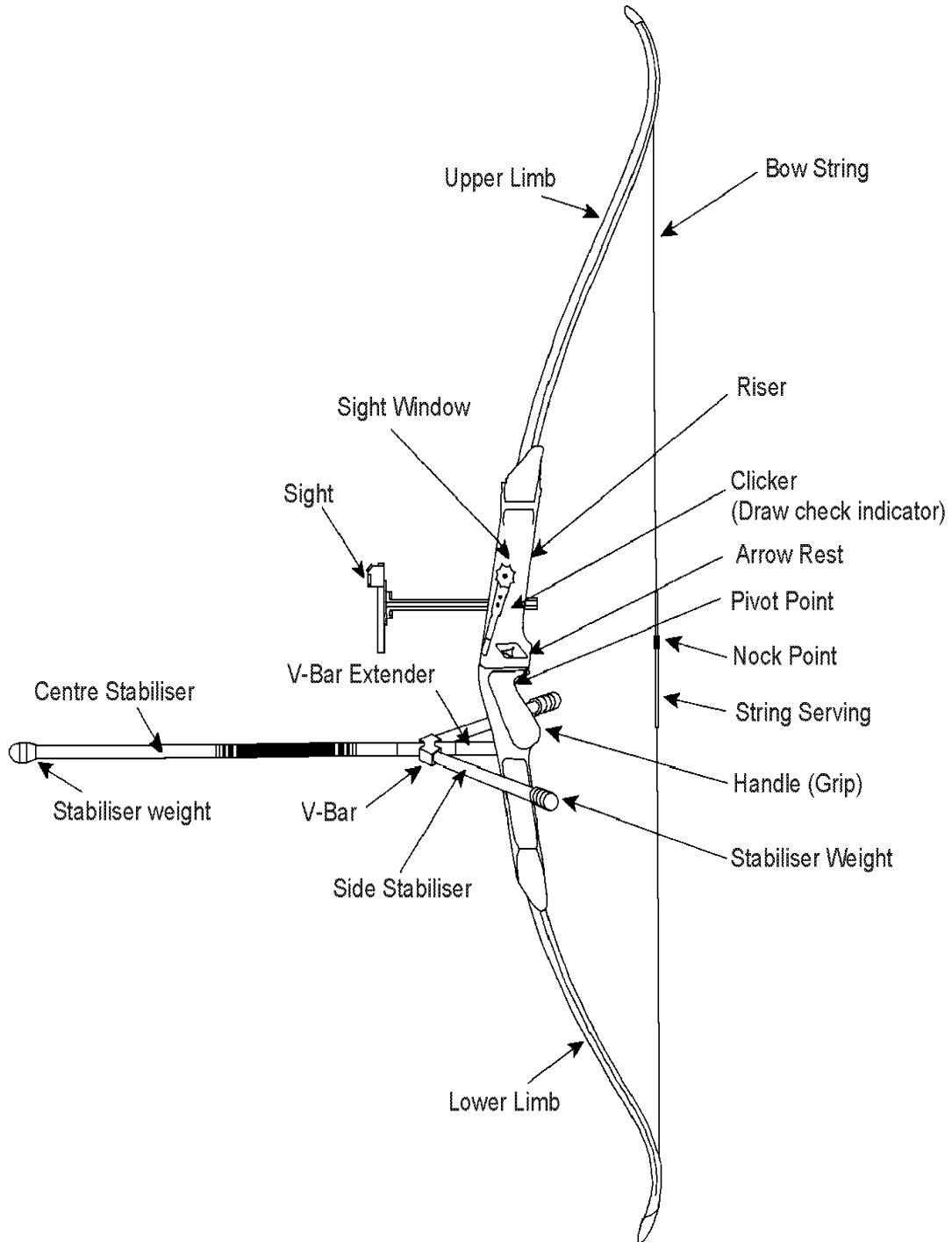
- 8.3.1.8 Finger protection in the form of finger stalls or tips, gloves, shooting tab or tape (plaster) to draw, hold back and release the string are permitted, provided they are smooth with no device to help to hold and/or release the string.
- 8.3.1.9 Shooting tabs may be built up of several layers of any material suitable for their use and allow for the part of the tab behind that used for drawing the string to be stiff using different materials for this build-up (the latter can be leather, plastic, metal, etc.). No shapes have been specified and no limitations in respect of sizes set.
- 8.3.1.10 An anchor plate or similar device attached to the finger protection may be used for the purpose of anchoring.
- 8.3.1.11 A separator between the fingers to prevent pinching the arrow may be used.
- 8.3.1.12 Finger protection may not have marks indications, scales or other such means to identify placement of the drawing hand fingers on the bowstring, subject to the following:
- 8.3.1.13 Symmetrical stitching or screws, etc are allowed provided they are used by the manufacturer for the purpose of holding separate layers of the tab together.
- 8.3.1.14 Stitching evident for the purpose of aiming or distance refinement must be covered. Marks that are the result of natural wear are acceptable.
- 8.3.1.15 An ordinary glove, mitten or similar may be worn on the bow hand but must not be attached to the grip.
- 8.3.1.16 Release aids are **not** permitted.
- 8.3.1.17 Arrows of any type may be used provided they are uniform in length and size and they subscribe to the accepted principle and meaning of the word arrow as used in target archery and that such arrows do not cause undue damage to target faces and buttresses.
- 8.3.1.18 An arrow consists of a shaft with head (point), nock, fletching and if desired, cresting. The maximum diameter of arrow shafts shall not exceed 9.3 mm, the heads (points) shall not exceed 9.4 mm. (see Appendix 8C for diagram)
- 8.3.1.19 The arrows of each athlete shall be marked with the athlete's name or initials on the shaft and all arrows used for the same end arrows shall carry the same pattern and colour(s) of fletching, nocks and cresting if any. The archer's name or initials shall be on the shaft in the area of the fletching or in the area which may be provided by the manufacturer. All arrows used in any one end shall be identical and will carry the same pattern and colour(s) of fletching, nocks and cresting, if any.

- 8.3.1.20 Prescription spectacles, field glasses, telescopes and other visual aids may be used for spotting arrows provided they do not represent any obstacle to other competitors as far placement on the shooting line is concerned.
- 8.3.1.21 Prescription spectacles or shooting spectacles or sunglasses are allowed. None may be fitted with micro-hole lenses, or similar devices, or marked in any way, which can assist in aiming. The non-sighting eye may be fully covered.
- 8.3.1.22 Accessories are permitted such as bracers (arm guards), dress shield (chest guard), bow-sling, belt or ground quiver, tassel and foot markers (which shall not protrude more than 10 mm above the ground), limb savers, a tripod for a scope (providing it does not create an obstacle for any other competitor on the shooting line), wind indicators (non-electric or non-electronic) may be attached to the equipment used on the shooting line (e.g. light ribbons), electronic wind indicators, which may only be used behind the shooting line).
- 8.3.1.23 Accessories not permitted are:
- Any kind of range-finding or angle-measuring device or equipment (e.g. scales) incorporated or detached
  - A sight or draw check indicator (audible or visual)

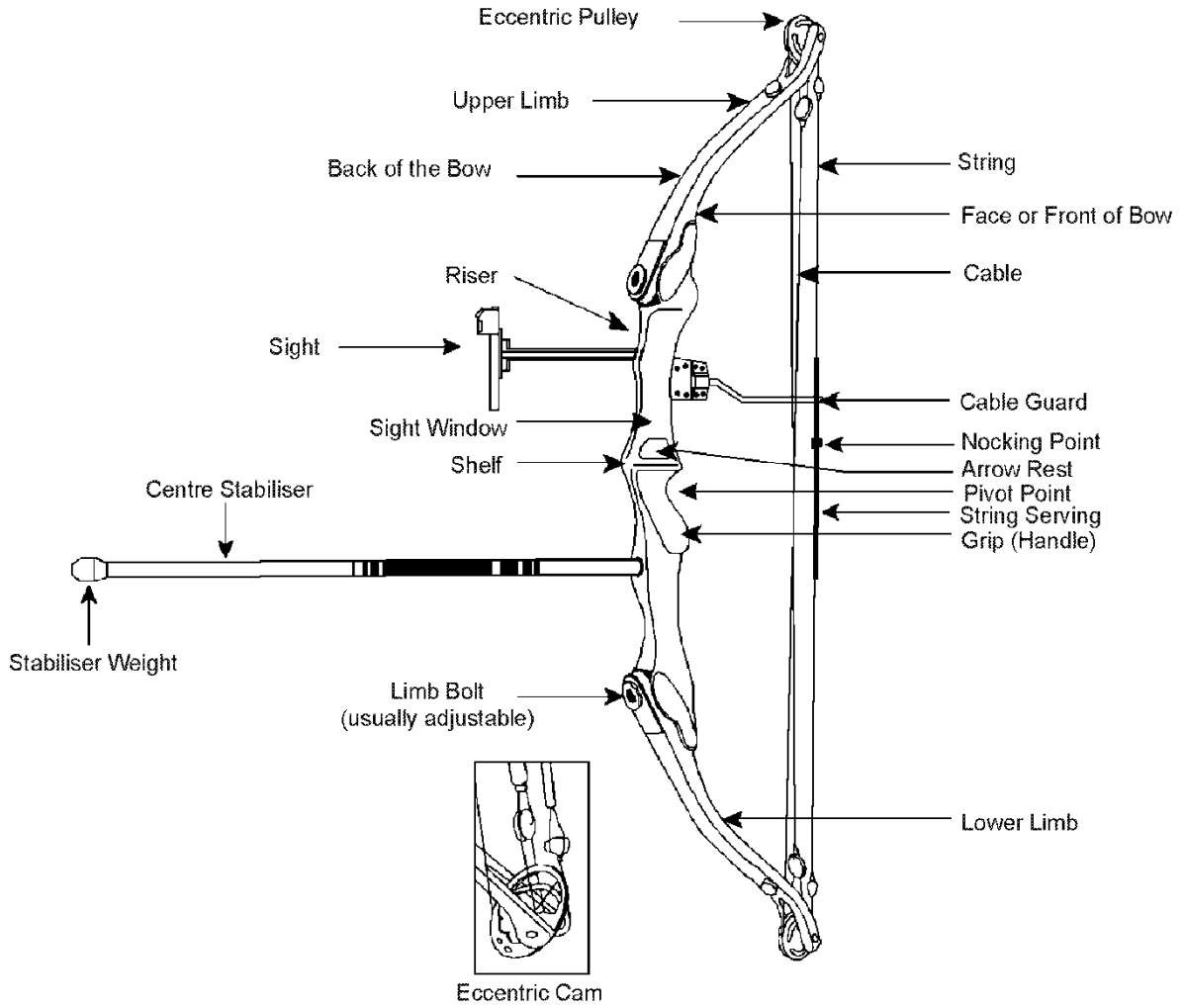
47



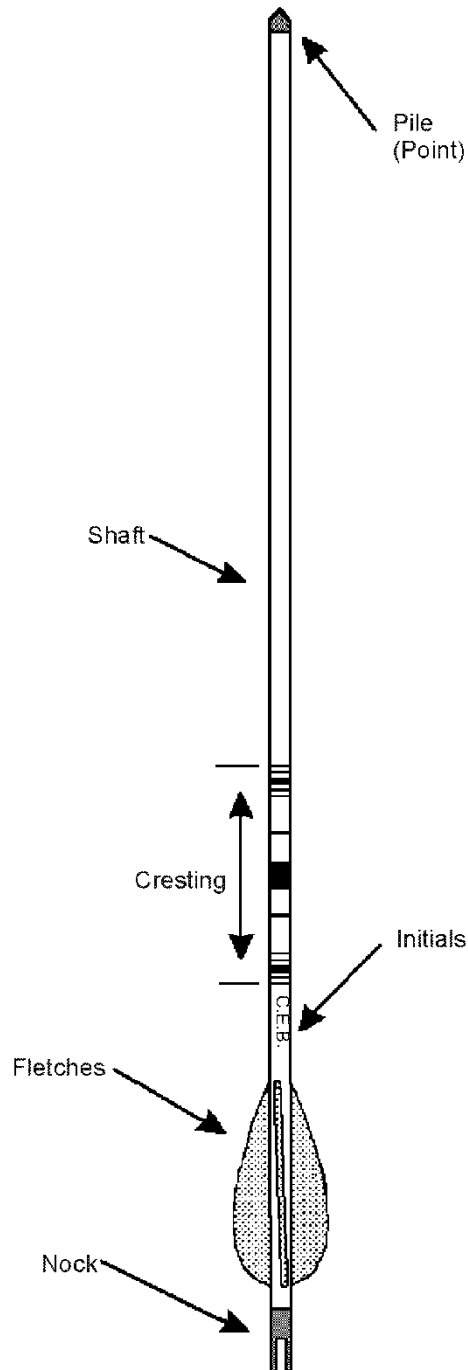
### APPENDIX 8A – Recurve Bow



### APPENDIX 8B – Compound Bow



# APPENDIX 8C - Arrow



## Chapter Nine: Outdoor Target Archery

---

### 9.

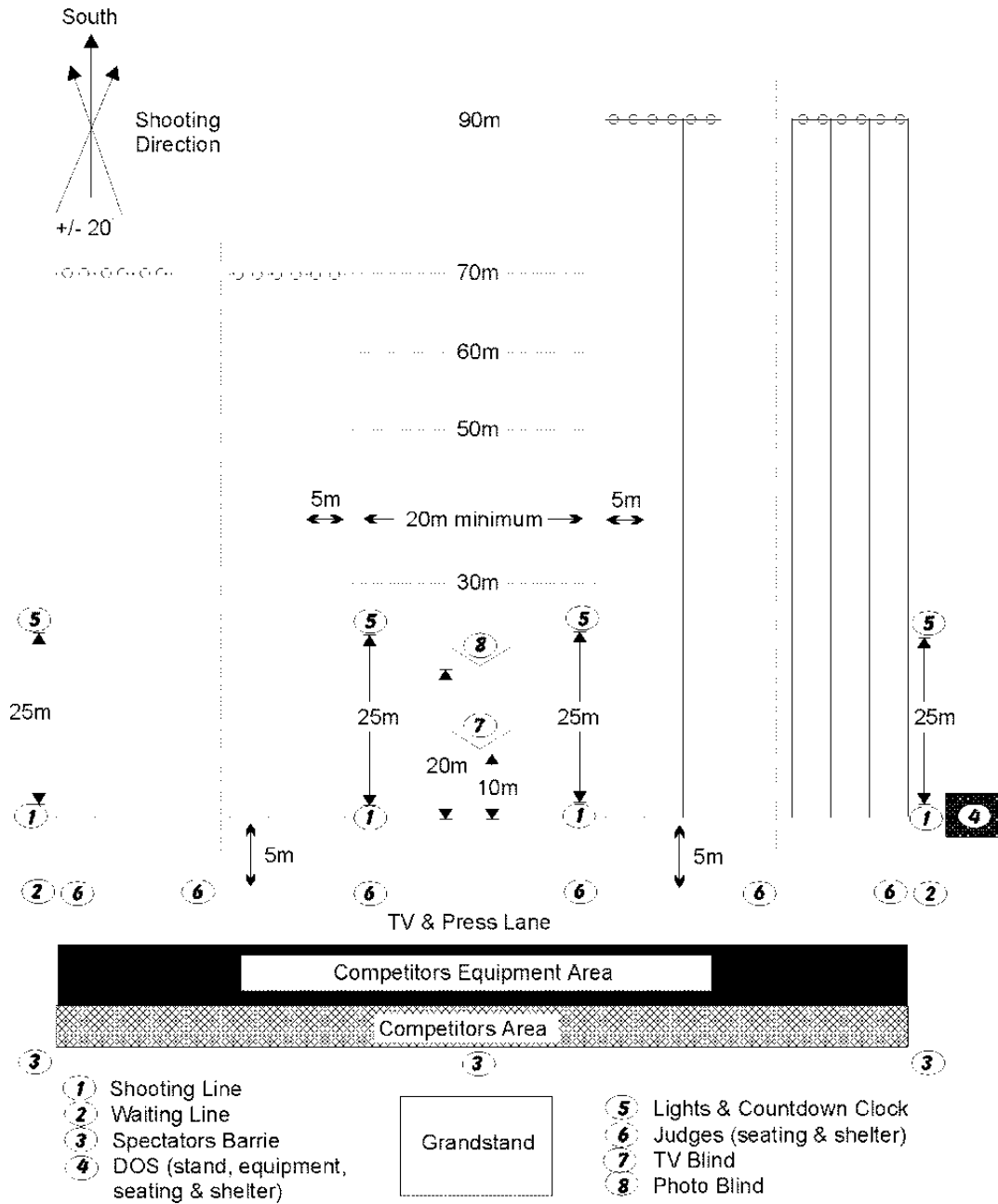
#### 9.1 Rounds

- 9.1.1 The Association recognises that any combination of target face and distance can constitute an event; however only those rounds listed in Schedule 4B may be used as the basis of an Association record claim. A variety of standard combinations is given in Schedule 9A for information. Attention is drawn to Chapter 4 – Records, Classifications, Ratings & Handicaps regarding the requirements for Classifications.

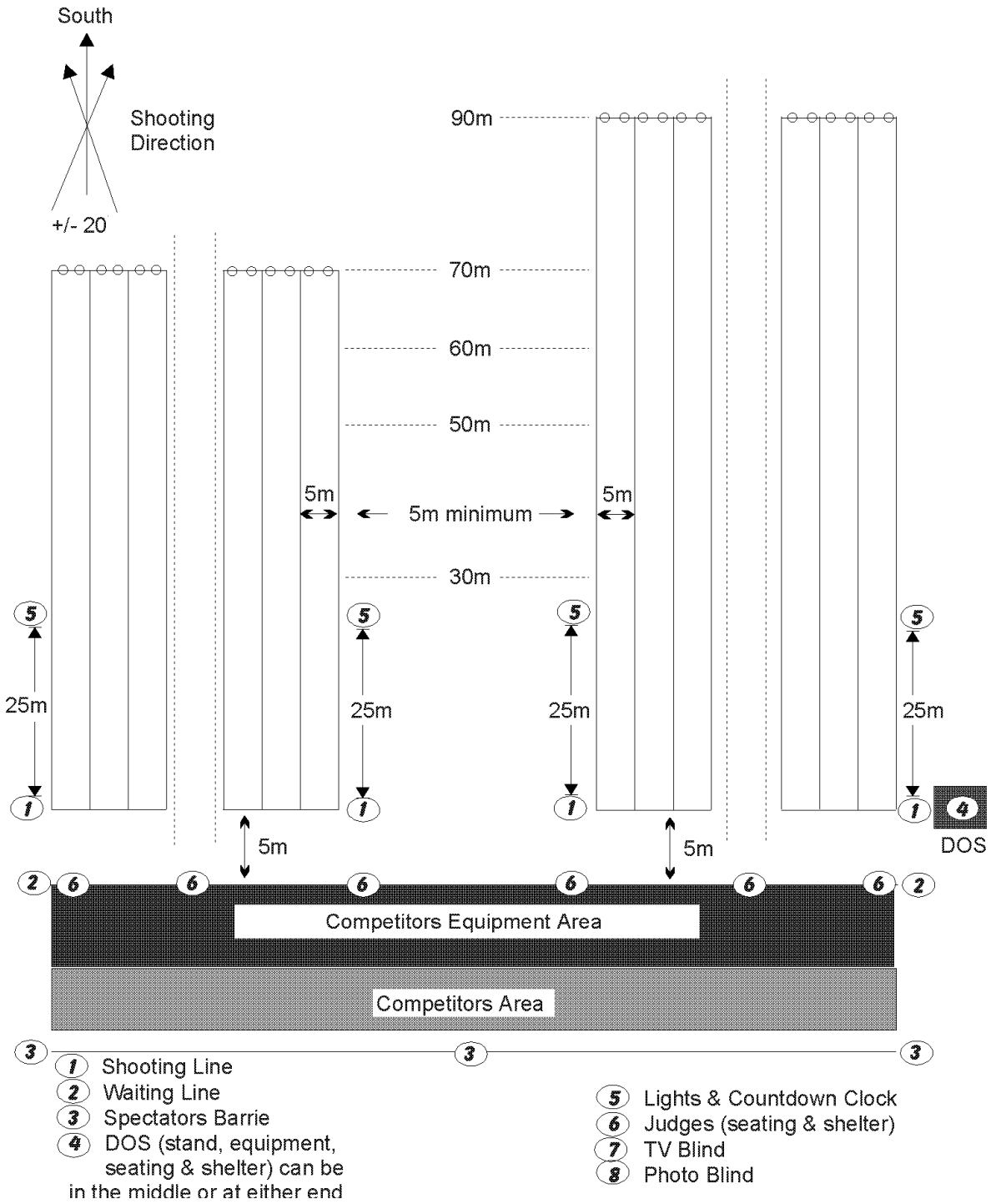
#### 9.2 Range Layouts

- 9.2.1 Recommended range layouts for major and minor tournaments are as shown in the following figures or refer to World Archery Rules. A recommended range layout for Crossbow tournaments is shown in Chapter 15 Appendix 15A.

### Range Layout for Major Events



### Range Layout for Minor Events



# Schedule Nine: Outdoor Target Archery

## Schedule 9A Official Target Archery Rounds

Rounds (Schedule 9A)	Total Arrows	Number of Arrows at Each Distance								Possible Score
		Distances (metres)								
		90	70	60	50	40	30	20	10	
WA90/1440	144	36+	36+		36*		36*			1440
WA70/1440	144		36+	36+	36*		36*			1440
WA60/1440	144			36+	36+	36*	36*			1440
AA50/1440	144				36+	36+	36*	36*		1440
AA40/1440	144					36+	36+	36*		1440
Long Sydney	120	30+	30+	30+	30+					1200
Sydney	120		30+	30+	30+	30+				1200
Long Brisbane	120	30+	30+	30*	30*					1200
Brisbane	120		30+	30+	30*	30*				1200
Adelaide	120			30+	30+	30*	30*			1200
Short Adelaide	120				30+	30+	30*	30*		1200
Hobart	90	30+	30+		30+					900
Perth	90		30+	30+	30+					900
<sup>48</sup> Canberra WA60/900	90			30+	30+	30+				900
Short Canberra	90				30+	30+	30+			900

<sup>48</sup> WA60/900 to be referenced in WA events and QREs – Canberra round used in all others

Rounds (Schedule 9A)	Total Arrows	Number of Arrows at Each Distance								Possible Score
		Distances (metres)								
		90	70	60	50	40	30	20	10	
Junior Canberra	90					30+	30+	30+		900
<sup>49</sup> Mini Canberra	90						30+	30+	30+	900
Grange	90			90+						900
Melbourne	90				90+					900
Darwin	90					90+				900
Geelong	90						90+			900
Newcastle	90							90+		900
Holt	90				90*					900
Samford	90					90*				900
Drake	90						90*			900
Wollongong	72	36+	36+							720
Townsville	72		36+	36+						720
Launceston	72				36*		36*			720
WA70/720	72		72+							720
WA60/720	72			72+						720
WA50/720	72				72*					720
AA50/720 <sup>50</sup> WABB50/720	72				72+					720
AA40/720	72					72+				720
AA30/720	72						72+			720
<sup>51</sup> AA20/720	72							72+		720

<sup>49</sup> Mini Canberra added – adopted June, 2021 (effective 1 July, 2021)

<sup>50</sup> WABB50/720 (WA Barebow 50 Round) added for WA events & QREs (effective 1 November, 2020)

<sup>51</sup> AA20/720 added – adopted June, 2021 (effective 1 July, 2021)



Rounds (Schedule 9A)	Total Arrows	Number of Arrows at Each Distance								Possible Score
		Distances (metres)								
		90	70	60	50	40	30	20	10	
VI Outdoor <sup>52</sup>	144						36# 36* 36* 36+			1440
VI 30m Round <sup>53</sup>	72						72*			720

**Legend**

- + 122 cm Diameter target face
- \* 80 cm Diameter target face
- # 60 cm Diameter target face

**\*\*Notes:**

The WA60/900 to be referenced in WA events and QREs – Canberra round used in all others

WA60/1440 is also known as the Fremantle Round.

*Other "Short" and "Junior" rounds may be created by reducing distances by 10m and 20m respectively.*

<sup>52</sup> VI Outdoor added, September, 2021 (note: event to be shot in order at the faces indicated – smallest face size first)

<sup>53</sup> VI 30m Round added, September, 2021

**Schedule 9B Unofficial Target Archery Rounds – Historical**

Historical Rounds (Schedule 9A)	Total Arrows	Number of Arrows at Each Distance									Possible Score
		Distance (yards)									
		100	90	80	70	60	50	40	30	20	
Philadelphia	210	30	30	30	30	30	30	30			1890
Short Philadelphia	150				30	30	30	30	30		1350
Junior Philadelphia	150					30	30	30	30	30	1350
Metropolitan	150	30		30		30	30	30			1350
Under 16 Metropolitan	150			30		30	30	30	30		1350
Short Metropolitan	120					30	30	30	30		1080
Junior Metropolitan	120						30	30	30	30	1080
York	144	72		48		24					1296
Short York	144					72	48	24			1296
Hereford	144			72		48	24				1296
Cleveland	144					48	48	24	24		1296
Jersey	144			36		36	36	36			1296
Short Jersey	144				30	30	30	30			1296
Australian	120			60		30		30			1080
Short Australian	120					60	30		30		1080
Junior Australian	90							30	30	30	810
Springbok	120			30		30	30	30			1080
St George	108	36		36		36					972
Lethbridge	108			36		36		36			972
Albion	108			36		36	36				972
Windsor	108					36	36	36			972
Western	96					48	48				864

Historical Rounds (Schedule 9A)	Total Arrows	Number of Arrows at Each Distance									Possible Score
		Distance (yards)									
		100	90	80	70	60	50	40	30	20	
Ohio	96					96					864
Short Ohio	96						96				864
Girls Ohio	96							96			864
Grange	90			90							810
Tropical	90				90						810
Long American	90			30	30	30					810
American	90					30	30	30			810
Short American	90						30	30	30		810
Malayan	90					36	30	24			810
Southern Cross	90					90					810
Pacific	90						90				810
Murrumbeena	90							90			810
Northern	90							30	30	30	810
Olympic	90								90		810
Short Olympic	90									90	810
United Bowmen	84			84							756
National	72					48	24				648
Junior National	72						48	24			648
Columbia	72						24	24	24		648
Junior Columbia	72							24	24	24	648

**All scoring to be 5-zone on a 122 cm (4ft) target face**

## Chapter Ten: Indoor Target Archery

---

### 10.

#### 10.1 Rounds

##### 10.1.1 Indoor Target Rounds

10.1.2 The Association recognises any combination of target faces and distances for events. Information on various standard combinations are given in Schedule 10A, however only those events listed in Schedule 4B may be used for the basis of an Association record claim. Attention is drawn to Chapter 4 – Records, Classifications, Ratings & Handicaps regarding the requirements for Classification purposes.

##### 10.1.3 World Archery Indoor Rounds

10.1.3.1 For all management procedures relating to Indoor Tournaments refer to World Archery Rules.

10.1.3.2 For the Compound Division, only the inner ten ring will score ten; the rest of the yellow scoring zone will score nine.

10.1.3.3 For all the other Divisions including Barebow Compound Division, scoring will be the same as for Recurve.

##### 10.1.4 Australian Indoor Rounds

10.1.4.1 For the Australian Indoor Rounds, management procedures will follow World Archery Indoor Rules (refer to World Archery Rules), with the following exceptions:

- All Divisions will score using the ten scoring zone, Xs will be counted and used for tie-breaking purposes only
- The maximum diameter of an arrow shaft is 10.72 mm (0.422" or 27/64") and the maximum diameter of an arrow point is 10.82 mm
- Athletes will be allocated to a target and they may choose if they wish to initially shoot left or right or top and bottom
- Athletes on the lower faces will always shoot first
- After 5 ends (15 arrows) have been shot, athletes will change their target faces from top to bottom and bottom to top. For a double round, the change will occur after 10 ends (30 arrows)
- Only single or triple (triangle faces) will be used, athletes shall choose which face they wish to use
- There will be no equipment inspection unless a Judge has concerns that any athlete's equipment does not comply with the rules
- Ties will be determined firstly by a count of tens followed by a count of Xs for the total round shot
- If still a tie, the tens and then Xs will be used from the first round of 30 arrows

- If still a tie, the tens and then Xs will be used from the first scoring end; this process will continue for each end until the tie is broken. After all ends for the round/s have been checked, if there is still a tie, the final place will be declared a tie
- The changing of target faces will be determined by a Judge.
- Practice shall be for 20 minutes with no break prior to the start of scoring. For the double round there will be no additional practice between each 30 arrow round.

## Schedule Ten: Indoor Target Archery

### Schedule 10A Indoor Target Archery Rounds – Current

Rounds	Total Arrows	Number of Arrows @ Each Distance		
		Distance (metres)		Possible Score
		25	18	
WA 18m Indoor	60		60+	600
WA 25m Indoor	60	60*		600
WA Combined Indoor	120	60*	60+	1200
Australian Indoor 1	30		30+	300
Australian Indoor 2	30	30*		300
Australian Combined Indoor 1 & 2	60	30*	30+	600
<sup>54</sup> VI Indoor	60	N/A	60*	600

**Legend:** \* = 60 cm diameter target face + = 40 cm diameter target face

### Unofficial Indoor Target Rounds - Historical

Historical Rounds	Total Arrows	Number of Arrows @ Each Distance		
		Distance (yards)	Distance (feet)	Possible Score
		20	80	
Chicago	96	96+		864
Indoor	90	90+		810
Blue Grass	90	90*		810
United Bowmen	94		94+	756

**Legend:** \* = 24 inch diameter target face + = 16 inch diameter target face

**Note:** Scoring is 5-zone – 9, 7, 5, 3, 1

<sup>54</sup> VI Indoor included, effective 1 January, 2018

## Chapter Eleven: Field Archery

---

### 11.

#### 11.1.1 Field Archery Rounds

11.1.1.1 The Association encourages members to shoot any of the rounds listed in the attached Appendices, shoot from any coloured peg they wish where multiple coloured pegs are available, to create their own rounds, to shoot any other available Field Archery Rounds. However, only those listed in Schedule 4B may be used for the basis of an Association record claim. A variety of recognised rounds are detailed below for information. Attention is drawn to Chapter 4 – Records, Classifications, Ratings & Handicaps regarding the requirements for Classification purposes.

#### 11.1.2 World Archery Field Archery Rounds

11.1.2.1 Refer to World Archery Field Archery Rules as listed in Schedule 11A.1. For all information on the course layout, procedures and management of World Archery Field Archery refer to current World Archery Field Archery Rules and any amendments that may be introduced from time to time.

#### 11.1.3 National Field Archery Rounds

11.1.3.1 The Association also recognises the National Field Rounds, which are shot to World Archery Rules.

11.1.3.2 Fan and walk-up targets may be arranged to be shot from one post on multi-targets or a combination of multi-targets and posts. When laying out fan targets, consideration shall be given to the angles at which the arrows enter the butt.

11.1.3.3 Posts and/or targets shall be set up so as to minimise damage to arrows. The posts or targets shall be numbered in the order in which the arrows are to be shot.

11.1.3.4 At fan shot targets with multiple shooting posts, the following procedure shall be observed:

- The first athlete shall shoot the first arrow from the post situated on the furthest left or right as numbered and proceed to the next post for the second shot, then to the third (and fourth post) in a similar manner
- The second (and subsequent athletes) shall follow the same procedure as soon as the preceding competitor has shot their first arrow
- 60 cm faces (pairs) set out in a fan, the first athlete shall shoot at the right face and the second shall shoot at the left face, with the third and fourth shooting in a similar manner

40 cm faces set out in a fan, the athletes shall:

- shoot at the lowest numbered face first and then the following faces in ascending order

20 cm faces set out in a fan, the athletes shall:

- shoot at the lowest numbered horizontal line of four 20 cm faces first, then the following horizontal lines of four 20 cm faces in ascending order

- 11.1.3.5 Multiple Targets (1 Post) - the competitor shall shoot the first arrow at the lowest numbered target and then the following targets in ascending order.
- 11.1.3.6 Walk-ups – the first athletes to shoot first will shoot their first arrow from the furthest peg and progressively move forward towards the target, shooting one arrow from each of the next 2 or 3 pegs.
- 11.1.3.7 When the first athletes have completed shooting their arrows, the other athletes on that target will follow the same procedure.



## Schedule Eleven: Field Archery

### S.11A.1 World Archery Field Archery Rounds

Refer to current World Archery Field Archery Rules and any amendments that may be introduced from time to time.

### S.11A.2 Other Field Archery Rounds

#### S.11A.2.1 National Field Archery Rounds

A National Field Archery Round consists of 28 targets. A Round may be shot going twice over the same 14 Targets except at National Championships.

#### Four National Field Archery Rounds are recognised:

- Hunters Round
- National Field Round (red, blue, yellow pegs)

112 arrows shall be in each Round.

1. **The Hunters Field Archery Round** consists of 28 Targets with 1 arrow each of four different posts for each Target:

- Four targets with 20 cm faces placed between 5 and 15 metres
- Eight targets with 40 cm faces placed between 10 and 30 metres
- Ten targets with a 60 cm face placed between 20 and 40 metres
- Six targets with a 80 cm face placed between 30 and 50 metres

The total length of each Round shall not be less than 2,912 metres nor exceed 3,024 metres.

2. **The National Field Archery Round (Red Pegs)** consists of 28 Targets with 4 arrows at each Target.

- Twice each 30, 25, 20 and 15 metres at 40 cm faces, total 32 arrows
- Twice each 45, 40 and 35 metres at a 60 cm face, total 24 arrows
- Twice each 60, 55 and 50 metres at a 80 cm face, total 24 arrows

And the following targets - each arrow to be shot from a different post:

- Twice 12, 10, 8 and 6 metres at 20 cm faces, total 8 arrows
- Twice 30, 25, 20 and 15 metres at 40 cm faces, total 8 arrows
- Twice 45, 40, 35 and 30 metres at a 60 cm face total 8 arrows
- Twice 60, 55, 50 and 45 metres at a 80 cm face, total 8 arrows

3. **The National Field Archery Round (Blue Pegs)** consists of 28 Targets with 4 arrows at each Target.

- Twice each 25, 20, 15 and 10 metres at 40 cm faces, total 32 arrows
- Twice each 40, 35 and 30 metres at a 60 cm face, total 24 arrows
- Twice each 50, 45 and 40 metres at a 80 cm face, total 24 arrows

And the following targets - each arrow to be shot from a different post:

- Twice 10, 8, 6 and 4 metres at 20 cm faces, total 8 arrows
- Twice 25, 20, 15 and 10 metres at 40 cm faces, total 8 arrows
- Twice 40, 35, 30 and 25 metres at a 60 cm face total 8 arrows
- Twice 50, 45, 40 and 35 metres at a 80 cm face, total 8 arrows

**4. The National Field Archery Round (Yellow Pegs)** consists of 28 Targets with 4 arrows at each Target.

- Twice each 20, 15, 10 and 5 metres at 40 cm faces, total 32 arrows
- Twice each 30, 25 and 20 metres at a 60 cm face, total 24 arrows
- Twice each 40, 35 and 30 metres at a 80 cm face, total 24 arrows

And the following targets - each arrow to be shot from a different post:

- Twice 10, 8, 6 and 4 metres at 20 cm faces, total 8 arrows
- Twice 20, 15, 10 and 5 metres at 40 cm faces, total 8 arrows
- Twice 30, 25, 20 and 15 metres at a 60 cm face total 8 arrows
- Twice 40, 35, 30 and 25 metres at a 80 cm face, total 8 arrows

A round may be shot going twice over the same 14 targets.

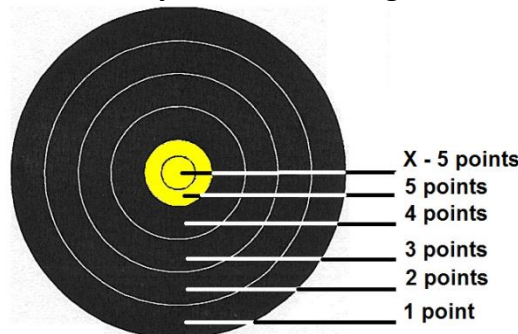
Organisers of Field Archery tournaments may decide whether the distances shall be marked or unmarked in the Hunters Field Archery Round.

**S.11A.2.2 National Field Archery Round Target Faces – Timing and Shooting Order**

For the National Field Archery Round, WA Field Archery Target Faces shall be used.

- Refer to World Archery rules for the maximum time permitted for athletes to shoot their arrows
- In groups of mixed divisions the athletes shooting the longer distances shall always shoot first.

**S.11A.2.2 <sup>55</sup>National Field Archery Rounds - Scoring**



**S.11A.3 AA Special 1 Arrow Field Archery Round**

**S.11A.3.1 The Round**

The round shall consist of 12 targets with 1 arrow shot at each target from the post provided.

**Distances:**

- 3 targets with 20 cm faces placed between 5 and 20 metres
- 3 targets with 40 cm faces placed between 10 and 30 metres
- 3 targets with 60 cm faces placed between 20 and 40 metres
- 3 targets with 80 cm faces placed between 30 and 50 metres

<sup>55</sup> S.11A.2.2 added, effective 1 January, 2018

The distances should be unmarked but may be marked at the discretion of the organisers.

No two shooting posts for the same face size shall be set at the same distance.

### **S.11A.3.2 Targets**

The faces to be used shall be the WA Field Archery faces.

### **S.11A.3.3 Scoring**

Gold Scoring Area = +20

Remainder of scoring area = +10

A miss = -5

The athlete with the highest plus score wins.

### **S.11A.3.4 Athletes' Equipment**

As per World Archery Rules, with the exception of Longbow and Barebow Compound, for these Divisions refer to Chapter 8.

## Chapter Twelve: Clout Archery

---

### 12.

#### 12.1 Clout Archery Rounds

- 12.1.1 A Clout Archery Round comprises six ends of six arrows (36 arrows). A Double Round consists of two separate rounds with the scores added together for final results.

#### 12.2 Range Layout

- 12.2.1 All athletes competing in the same Division shall, where possible, shoot on the same target. Ideally there will be a maximum of twenty-five athletes per target. If more than one target is required, the allocations for each target shall be as nearly equal as possible. There shall be a clear space between the outer clout scoring flags (white flags) of adjacent clout targets of not less than five metres. Clout scoring zones shall not overlap when viewed from the Shooting Line.
- 12.2.2 The targets shall be consecutively numbered with a number positioned to the right side of the clout such that it will not be hit by athletes' arrows and shall be of such a size that it is clearly visible from the Shooting Line. A corresponding target number shall also be placed in front of the Shooting Line in the centre of the target lane.
- 12.2.3 The preferred shooting direction is southerly, although this will depend upon the available venue and shooting shall be in one direction only. For safety there shall be a common Shooting Line, although if a staggered Shooting Line is required no athlete shall shoot over the head of another athlete; and there shall be a minimum of 10 metres between the flight path of the arrow of the athlete(s) on the longer distance and the athletes on the Shooting Line of the adjacent shorter distance.
- 12.2.4 The Field of Play shall be squared off, with a Shooting Line marked on the ground at right angles to the direction of shooting and shall be of such length so as to permit each athlete to have a minimum one metre of space on the Shooting Line.
- 12.2.5 A Waiting/Equipment Line shall be marked five metres behind the Shooting Line. The athletes' equipment shall be kept behind the Waiting Line until the Director of Shooting gives the signal to come forward and commence shooting. Spotting scopes may be left on the Shooting Line at all times.
- 12.2.6 A Spectator Line shall be marked ten metres behind the Waiting/Equipment Line.
- 12.2.7 A three metre line shall be marked in front of the Shooting Line.
- 12.2.8 Where possible the Field of Play shall be marked or roped-off and only athletes participating in the event and persons otherwise authorised shall be allowed to enter. Spectators shall remain behind the Spectator Line at all times.

- 12.2.9 A minimum safety overshoot zone of 80 metres shall be provided beyond the clout flag.<sup>56</sup>

### 12.3 Venue Equipment

#### Target

- 12.3.1 The Clout Target comprises:

12.3.1.1 A level area of soft turf or earth 15 metres in diameter, which will allow arrows to lodge and hold in the turf.

12.3.1.2 A bright triangular Clout Flag clearly visible from the Shooting Line in a contrasting colour from the surrounding background<sup>57</sup>. The Clout Flag shall be 45 cm ( $\pm 2$  cm) in height and 35 cm ( $\pm 2$  cm) (see Appendix 12A) in width at the top edge and as thick as required but shall be cut at a 45° angle, made from suitable material such that arrows will not ordinarily rebound from; pass through or be damaged by the material. The Clout Flag may have a perimeter border of 3–4 cm in a bright contrasting colour.

12.3.1.3 This Clout Flag shall be positioned in the centre of the target area in such a way that it will not be dislodged or turned if struck by an arrow nor cause damage to an arrow striking it. The lower point of the flag shall be 8 cm ( $\pm 2$  cm) above the ground, with the centre supporting post retaining the inner loop or ring of the Clout Cord to allow for the easy and smooth rotation of the Clout Cord.

12.3.1.4 Five flags square or triangle in shape of 25 cm minimum to 30 cm maximum in size shall be positioned at each side of the Clout Flag in a straight line at right angles to the direction of shooting and at 1.5 metre spacing. The flags shall be clearly visible from the Shooting Line and relative to the target centre, coloured yellow, red, blue, black and white respectively; corresponding to the colours of a standard target face. (See Appendix 12B for diagram).

12.3.1.5 The Clout Cord, shall be made of non-stretch synthetic cord or braided or stranded wire, looped or ringed at both ends, with scoring division markers not more than 3mm wide firmly fixed to the cord at intervals of 75 cm when measured from the centre of the Clout Flag. A handle may be fitted at the outer end of the cord to enable ease of use. A tolerance of  $\pm 1$  cm applies to each division marker when measured from the centre of the Clout Flag.

12.3.1.6 For each two zones working out from the centre of the target, the cord shall be coloured yellow, red, blue, black and white, similar to the standard outdoor target face. (See Appendix 12C for diagram). The dividing lines on the Clout cord shall be entirely within the higher scoring zone.

---

<sup>56</sup> 12.2.9 Added 80 metres overshoot zone – effective 1 January, 2019

<sup>57</sup> 12.3.1.2 Correction, deleted “, corresponding to the colours of a standard target face”, 1 June, 2021

12.3.1.7 The outer of all scoring zones may be indicated by circles marked on the ground with white lines approximately 5 cm wide. These lines shall not be used for scoring purposes but are indicators only.

## **12.4 Athletes' Equipment**

### **12.4.1 General**

12.4.1.1 Refer to Chapter 8 for rules relating to athletes' equipment (subject to 12.4.1.2).

12.4.1.2 The following exceptions are permitted for the Recurve and Compound Divisions:

- A bow sight or bow mark and point-of-aim on the ground for aiming (ground marker), as follows:
  - Mirrors, prisms, lenses or other magnifying devices and/or levelling devices may be incorporated in a bow sight
  - A bow mark as a single mark made on the bow for the purpose of aiming. Such mark may be made in pencil, tape or any other suitable marking material
  - A Point-of-Aim ground marker placed between the Shooting Line and the target. Such markers shall not exceed a diameter of 7.5 cm and shall not protrude above the ground more than 15 cm
- No markings on the bow which may provide an additional aid to aiming.

12.4.1.3 The maximum diameter of each arrow shaft shall not exceed 9.3 mm and the head (point) 9.4 mm.

12.4.1.4 Athletes are to ensure the equipment they intend to use has been inspected by the Judges prior to the start of competition.

## **12.5 Shooting Control and Safety**

12.5.1 Shooting shall not commence unless the appointed Tournament Officials, DoS or Judges have endorsed safety conditions.

12.5.2 A DoS shall be appointed to control the shooting.

12.5.3 The DoS shall give verbal warnings of ten, five and one minutes to the commencement of shooting.

12.5.4 The shooting control signals shall be:

- Two audible signals for athletes to occupy the Shooting Line.
- One audible signal to start shooting following a ten second preparation time.
- The signal to cease shooting and to move forward to score and collect arrows shall be three audible signals.

12.5.5 A series of five or more audible signals shall indicate danger and all shooting must cease immediately. The signal to resume shooting shall be one whistle or siren blast.

- 12.5.6 Athletes shall not draw a bow, with or without an arrow, except when standing on the Shooting Line. If an arrow is used, the athlete shall aim towards the targets but only after being satisfied that the field is clear both in front of and behind the targets. If an athlete, whilst drawing their bow with an arrow before the shooting starts or during breaks between rounds, releases an arrow, intentionally or otherwise, such arrow shall count as part of the next scoring end to be shot. The scorer(s) at the direction of a judge shall make a note to this effect on the athlete's scoresheet and enter the values of all hits for that end but the highest scoring arrow will be forfeited and indicated on the scorecard as a miss with an M.
- 12.5.7 While shooting is in progress only those athletes shooting may be on the Shooting Line. All other athletes shall remain behind the waiting/equipment line with their equipment.
- 12.5.8 After all athletes have shot their arrows they shall retire behind the Waiting/Equipment line with their equipment. Spotting telescopes may be left on the Shooting Line. Athletes with a disability are permitted to remain on the Shooting Line with their equipment provided that it does not interfere with the conduct of the shooting.
- 12.5.9 No athlete or other person may touch the equipment of another athlete without that athlete's permission.
- 12.5.10 No athlete shall be disturbed or approached during shooting except in the case of an emergency.
- 12.5.11 No person shall approach a target or go forward of the Shooting Line unless the DoS has signalled to do so.
- 12.5.12 Any remark or action made that may cause annoyance or confusion to an athlete or may detract from their concentration is unsportsmanlike and is not allowed. A Judge shall first caution the offender, and, if the offence is repeated, may direct the person to withdraw from the event.

## **12.6 Order of Shooting and Timing Control**

- 12.6.1 All championship events shall be timed, although for non-championships events this will be at the discretion of the Organising Committee.
- 12.6.2 Timing shall be two audible signals to occupy the Shooting Line, followed ten seconds later by one audible signal to commence shooting. Four minutes shall be the time allowed to shoot six arrows or two minutes for three arrows. A warning signal will be given thirty seconds before the end of the time limit.
- 12.6.3 Count-down clocks with warning lights or warning lights used on their own may be used. Coloured flags or timing boards may also be used and these shall be positioned on each end of the field of play a minimum of 25 metres in front of the Shooting Line.
- 12.6.4 Arrow/s shot after this time limit shall be considered not shot and the athlete shall lose their highest scoring arrow/s for that end.

- 12.6.5 When the DoS has ascertained that all athletes have completed shooting or the time limit has expired, three audible signals will be given and athletes shall advance to the targets to score and recover their arrows.
- 12.6.6 When all athletes are ready to shoot again the DoS shall signal for athletes to come to the shooting line with two audible signals followed ten seconds later by one audible signal to commence shooting.
- 12.6.7 In the event of the failure of an athlete's equipment, the athlete shall indicate the matter to a Judge or the DoS and leave the shooting line to carry out repairs. Subject to 12.6.1, the athlete shall **not** be permitted to make up any un-shot arrows resulting from the equipment failure.<sup>58</sup>
- 12.6.8 For timed events if shooting is suspended during an end for any reason, such time limit will be adjusted according to the maximum number of arrows remaining with a timing of forty seconds per arrow.

## 12.7 Shooting

- 12.7.1 Practice shall be made available to all athletes before commencement of a round and shall consist of two ends for championship events (timed) and two ends of six arrows for non-championships (not-timed). For championships (timed) events the athlete may shoot as many arrows they wish during each end of practice. Scoring will commence immediately following the completion of practice.
- 12.7.2 In the case of a Double Clout, practice shall be made available prior to the commencement of the second Clout and will consist of two ends, for championship events (timed) and two ends three arrows for non-championships (not timed) events.
- 12.7.3 An arrow shall not be deemed to have been shot if any part of the arrow is within the three metre line.
- 12.7.4 Athletes shall straddle the Shooting Line, or have both feet on the Shooting Line. Athletes with a disability may shoot from a chair or otherwise in such a position that half of their body is behind the Shooting Line.
- 12.7.5 The Judges and DoS shall ensure all arrows have been collected and removed from the ground or target before the commencement of shooting.
- 12.7.6 The Organising Committee shall appoint a Target Captain to each target; the Organising Committee or Target Captain shall appoint athletes to be scorers, Clout cord handler or arrows collectors from each scoring zone or to collect misses.

## 12.8 Scoring

- 12.8.1 The scoring zone values shall be 10, 9, 8, 7, 6, 5, 4, 3, 2 and 1 from the centre outwards.

---

<sup>58</sup> 12.6.7 Alteration to equipment failure provision - effective June, 2022



- 12.8.2 Scoring shall take place after each end of six arrows.
- 12.8.3 When approaching the target athletes shall not carry any arrows in their quiver, all spare arrows shall be left behind the Waiting Line.
- 12.8.4 To score, the Clout Cord shall be pulled taut and slowly traversed over the target area in an anti-clockwise direction being followed by the arrow collectors who shall pick up arrows within the assigned scoring zone.
- 12.8.5 Following collection of all scoring arrows they shall be sorted and laid in the appropriate scoring zone between the flags with the nocks of the arrows being positioned alternating for each scoring zone. This will allow for the easy identification of the score value of each arrow. Any arrows which miss the scoring zones shall be placed outside the white flag.
- 12.8.6 Scoring shall be double scoring and to speed up the scoring process there should be two groups of scorers with athletes divided as near as possible equally between the two groups of scorers.
- 12.8.7 When an athlete's name is called out by the scorer/s they shall clearly call out the value of their arrows in descending value while indicating to each arrow. Arrows shall be picked up by the athletes once their arrows have been scored and the athletes may proceed back to the Shooting Line at the completion of scoring for all competitors on that clout.
- 12.8.8 The Target Captain shall supervise scoring and shall check that all arrows are correctly called.
- 12.8.9 An arrow shall remain in or on the ground untouched until removed by the appointed person for that scoring zone as the Clout rope touches the arrow. Should an arrow be moved beforehand, it shall not be scored unless specifically so decided by the Target Captain or the Judge responsible for that target.
- 12.8.10 Arrows shall score ten for an inner gold successively through to one for an outer white, as in Outdoor Target Archery. A miss shall be recorded with an 'M' on the score sheet.
- 12.8.11 An arrow lodging in the clout flag shall score ten points.
- 12.8.12 Arrows lodging in the ground shall score where the arrow enters the ground or passes through the turf at that part of the arrow closest to the point.
- 12.8.13 Should that part of the arrow touch any dividing line between score zones, the arrow shall score the higher value of the zones affected.
- 12.8.14 Any questions about the value of an arrow shall be directed to a Judge before the arrow is withdrawn from the ground, the Judge's decision shall be final.
- 12.8.15 A mistake on a scorecard discovered before the arrows are picked up may be corrected, but the correction shall be made and initialled by a Judge. Once the arrows have been picked up, no corrections to the arrow values shall be permitted.

- 12.8.16 The value of an arrow that does not lodge in the ground shall be determined by the position of its point as it lies. An arrow struck by another arrow shall score as the point lies.
- 12.8.17 An arrow hitting:
- Another arrow in the nock and remaining embedded therein, shall score according to the value of the arrow struck;
  - Another arrow and then rebounding from the clout scoring zone, shall score the value of the struck arrow, provided the damaged arrow can be identified;
  - A clout target other than an athlete's own shall not score.
- 12.8.18 If more than six arrows are shot, only the six lowest in value shall be scored.
- 12.8.19 Athletes may delegate authority to score and collect their arrows to another athlete on their own target or other person who shall represent that athlete but the athlete must not advance to the target.
- 12.8.20 On completion of a round or event, score sheets shall be tallied including 10s and 9s and signed by the athlete and scorer, by signing the scorecard the athlete agrees with the value of each arrow, the total number of 10s and 9s and the total score.
- 12.8.21 If the scorers are participating in the shooting, they shall sign the scorecard as the athlete and the other scorer shall witness the scorecard. Athletes shall be responsible for ensuring that their scores are accurately recorded.
- 12.8.22 Scorecards handed in to the Organising Committee and found to be incorrect shall be disregarded, although the Organising Committee may return the scorecards and request the scorecard be corrected before being officially accepted.
- 12.8.23 The Target Captain will ensure that, after scoring, no arrows are left in the clout area before returning to the Shooting Line for shooting to recommence. If this inadvertently happens, the shooting shall not be interrupted.

## **12.9 Ties**

- 12.9.1 Ties shall be decided as follows irrespective of whether the competition is comprised of one or more rounds or only part of a round:
- By the greatest number of tens
  - By the greatest number of nines
  - Following this if the athletes are still tied, they shall be declared equal.

## **Schedule Twelve: Clout Archery**

### **Schedule 12A Clout Archery Distances**

Rounds of 36 arrows are recognised at the following distances:

- 180 metres
- 165 metres
- 145 metres
- 125 metres
- 100 metres.

All distances shall have a tolerance of  $\pm$  50 cm.

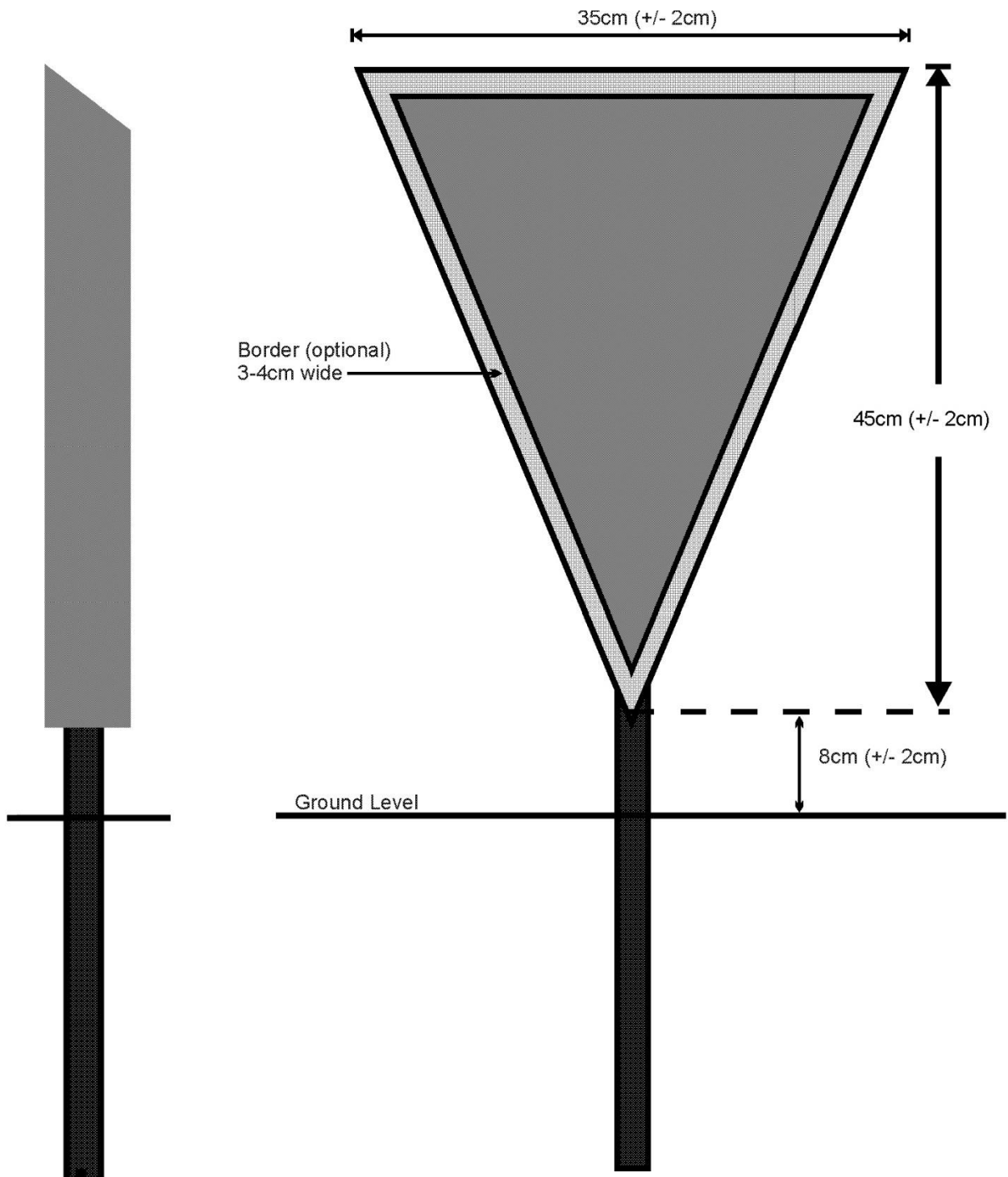
### **Schedule 12B Target Captain's Duties**

The Target Captain shall be appointed by the Organising Committee.

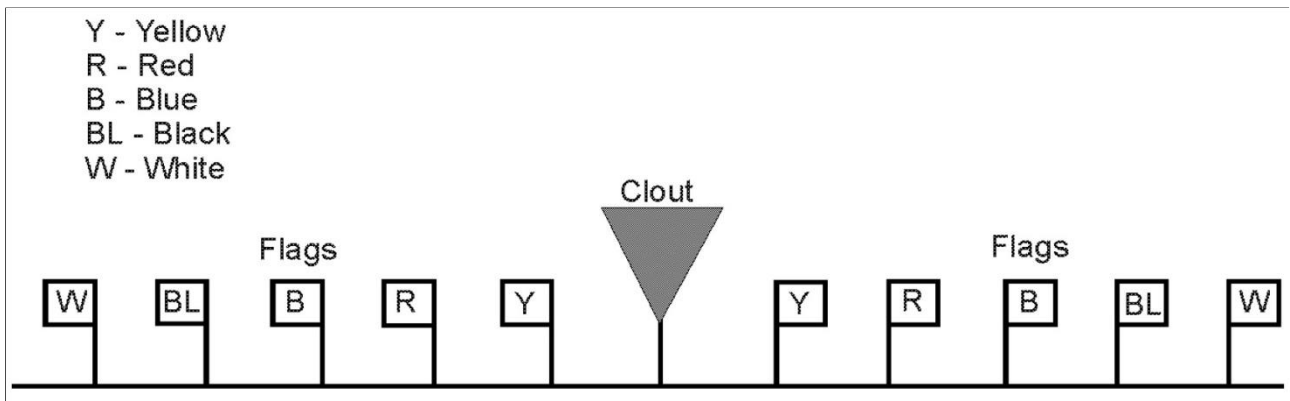
The Target Captain's duties/responsibilities are to ensure:

- Orderly and efficient conduct at the target and that only appointed persons enter the scoring area;
- Scorers have been appointed, if not to appoint athletes to score;
- Athletes have been appointed, or to appoint them if necessary, to man the scoring zones and the cable for the purpose of collecting arrows for scoring;
- Scoring is carried out in an orderly and correct way.

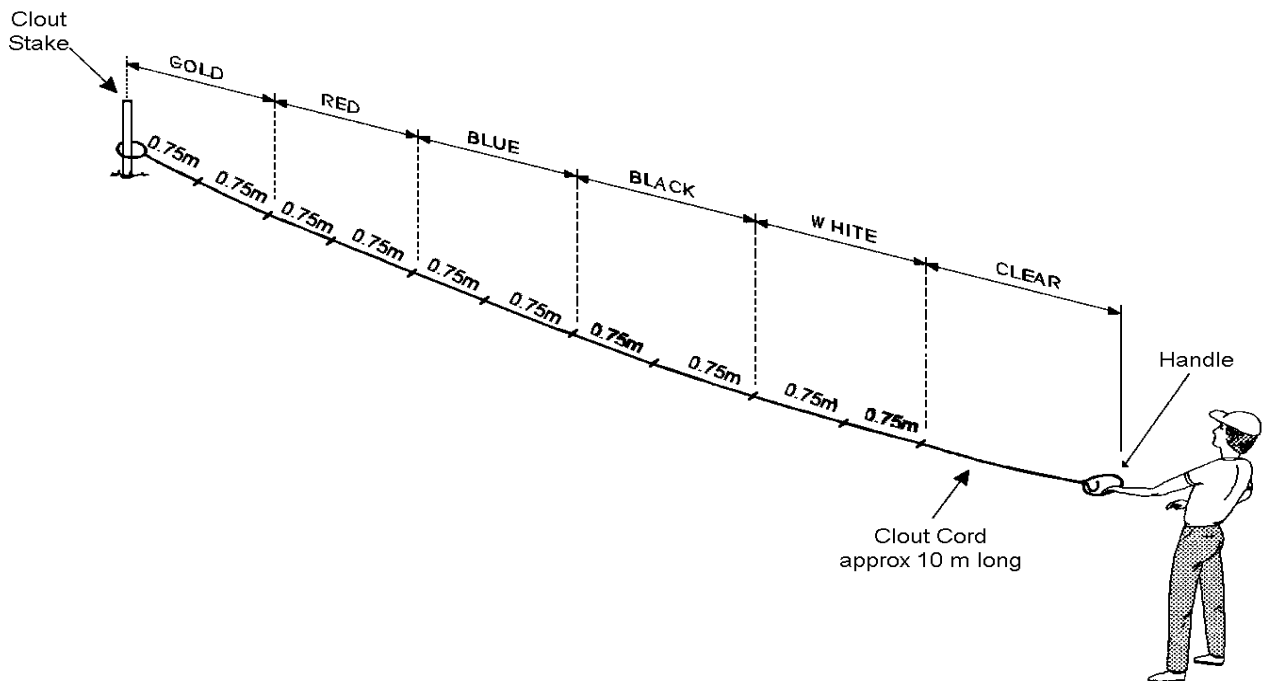
### APPENDIX 12A – The Clout Flags



### APPENDIX 12B – The Clout Target



### APPENDIX 12C – The Clout Cord



## Chapter Thirteen: Flight Archery

---

### 13.

#### 13.1 Rounds

- 13.1.1 The object of Flight Archery is to propel an arrow as far as possible. Six shots shall constitute a flight shoot.
- 13.1.2 Only those bow weights shown at 13.3 may be used for purposes of claiming Association records.<sup>59</sup>

#### 13.2 Range layout

- 13.2.1 The Shooting Range shall be as flat as possible.
- 13.2.2 The landing area, defined as any ground on which the arrows are expected to land, should be at least 200 metres wide. This area should be free of obstructions and hazards such as trees, buildings, fences, ditches etc. and should provide where possible, turf favourable for arrows to lodge into and be readily visible.
- 13.2.3 A Shooting Line 20 metres long shall be marked on the ground and one metre in front of this shall be a second line, the foul line.
- 13.2.4 An area 20 metres long by 5 metres wide shall be roped off behind the Shooting Line with access through a 1 metre gateway. This is the Equipment Area.
- 13.2.5 A central line shall be marked on the ground from what is considered to be the minimum distance that will be shot, to 100 metres beyond the furthest distance expected to be recorded. Stakes shall be placed at nominal 100-metre intervals along the central line and shall be appropriately marked.

#### 13.3 Athletes' Equipment

##### 13.3.1 General

##### 1. Divisions

The Flight Archery Divisions shall be:

- Flight Bow (Recurve Bow)

The bow is an instrument consisting of a handle (grip) and two flexible limbs ending in a tip with a string nock. The bow is braced for use by a single bow string attached directly between the two string nocks only and in operation is held in one hand by its handle; while the string is drawn, held back and released by the other hand.

These bows may include a "keyhole" or "shoot-through" riser.

---

<sup>59</sup> 13.1.2 Classifications system for flight deleted 2010

Mechanical release aids are **not** permitted however; the traditional Flight Bow release equipment may be used:

- flipper or strap
- any one-piece release aid; i.e. ring, block, hook, etc.
- Target Recurve Bow

Conventional Recurve bow as used in Target Archery. Refer to Chapter 8 for Recurve Bow equipment. All conventional accessories used for Target Archery shall be used on the bow.

- Target Compound Bow

Conventional compound bow used in target archery. Refer to Chapter 8 for Compound Bow equipment. All conventional accessories used for target archery shall be used on the bow. Mechanical release aids may be used.

- Longbow

Refer to Chapter 8 for Longbow equipment.  
No form of release aid may be used.

## 2. Arrows

- Flight Bow (Recurve Bow)

Arrows shall be plainly marked with the name of the athletes, the Bow Weight Class in which it is to be used and numbered. An arrow cannot be used more than once in any event. The minimum arrow length shall be 356 mm.

A safety loading stick may be used; its length shall not exceed 203 mm measured from the inside flat surface of the bow.

- Target Bows (Recurve, Compound and Longbow)

Only arrows used for Target Archery may be used.

## 3. Weight Divisions

The recognised Weight Divisions shall be:

- Flight Bow (Recurve)

Male, Under 21 Male and Under 18 Male:

Limited – Up to 50lb (22.7 kg)

Unlimited – Above 50lb

Female, Under 21 Female and Under 18 Female:

Limited – Up to 40lb (18.2 kg)

Unlimited – Above 40lb

Under 16 and Under 14s:

Limited – Up to 35lb (15.9 kg)

Unlimited – Above 35lb

- Target Recurve Bow

Male, Under 21 Male and Under 18 Male:

Limited – Up to 50lb (22.7 kg)

Female, Under 21 Female and Under 18 Female:

Limited – Up to 40lb (18.2 kg)

Under 16 and Under 14s:

Limited – Up to 35lb (15.9 kg)

The recognised Weight Divisions for Recurve Bows shall be measured at the draw length of the athlete.

- Target Compound Bow

Male, Under 21 Male and Under 18 Male:

Limited – Up to 60lb peak weight (27.3 kg)

Female, Under 21 Female and Under 18 Female:

Limited – Up to 50lb peak weight (22.7 kg)

Under 16 and Under 14s:

Limited – Up to 40lb (18.2 kg)

The recognised Weight Divisions for Compound Bows shall be the peak draw weight of the bow.

- Longbow

Male, Under 21 Male and Under 18 Male:

Limited – Up to 50lb (22.7 kg)

Unlimited – Above 50lb

Female, Under 21 Female and Under 18 Female:

Limited – Up to 40lb peak weight (18.21 kg)

Unlimited – Above 40lb

Under 16 and Under 14s:

Limited – Up to 35lb (15.9 kg)

Unlimited – Above 35lb

The recognised Weight Divisions for Longbows shall be measured at the draw length of the athlete.

#### 4. Weighing Of Equipment

Bows shall be weighed in all limited Weight Divisions events. Bows in the Unlimited Divisions do not have to be weighed.

Athletes shall have access to the official scales one hour before the official weighing of bows. Weighing devices shall be accurate to a tolerance of  $\pm 0.25$  kg.



Weighing of bows in the Limited Divisions and all strings to be used shall be at the event; and the DoS shall ensure that no adjustments are made to draw weight between weighing and shooting.

Flight Bows, Target Recurve Bows and Longbows shall be weighed to the point where the longest arrows for that event would drop off the rear of the arrow rest; provided such arrow rest is fixed to the bow in such a manner that provides no easy method of alteration in position, such as sliding or slotted adjustments.

For Target Compound Bows, the weight shall be the peak weight of the bow when drawn.

The length of draw for the purposes of weighing shall in each case be considered as the length of the longest arrow to be used in the event, measured from the base of the nock groove to the tip of the point.

### **13.4 Shooting Control and Safety**

- 13.4.1 Before shooting starts, the DoS shall check that the shooting range is clear.
- 13.4.2 No person other than the athletes, scorers, Judges and/or Field Assistants shall enter the shooting range without the express consent of the DoS.
- 13.4.3 The DoS may require an athlete to modify the style of shooting if, in the opinion of the DoS, the athlete's style presents a safety hazard. If after such a warning the DoS is of the opinion that the athlete's revised style is still unsafe the DoS shall instruct the athlete to withdraw from the event.
- 13.4.4 An athlete may not draw a bow, with or without an arrow, except when standing on the Shooting Line. If an arrow is used, the athlete shall aim along the centre line but only after being satisfied that the range is clear. If an athlete, whilst drawing a bow with an arrow before the shooting starts or during breaks, loses an arrow, intentionally or otherwise, such arrow shall count as part of the round shot.
- 13.4.5 No athlete or other person may touch the equipment of another athlete without the latter's consent.
- 13.4.6 An athlete shall not be disturbed or approached during shooting except in an emergency.
- 13.4.7 Any remark or action made that may cause annoyance or confusion to an athlete or may detract from the athlete's concentration is unsportsmanlike and is not allowed. A Field Assistant/DoS shall first caution the offender and, if the offence is repeated, may direct the athlete to withdraw from the event.

### **13.5 Order of Shooting and Timing Control**

- 13.5.1 Shooting shall commence as early in the morning as may be arranged.
- 13.5.2 The order of shooting in each event shall be arranged by the DoS (if not previously arranged) and announced before shooting commences. The DoS shall call each athlete, or group of athletes, in turn to shoot and supervise such shooting.

- 13.5.3 An athlete has the option to shoot all six arrows, or three only and wait in turn to shoot the balance, unless the DoS for some reason shall permit the athlete to shoot otherwise.

### **13.6 Shooting**

- 13.6.1 The whole of the shooting in all the championship events shall take place prior to any marking or measurement.
- 13.6.2 All equipment shall be checked prior to entry to the equipment area and all surplus equipment shall be left outside.
- 13.6.3 A Field Assistant/DoS shall be stationed at each end of the shooting line to determine any foul shots.
- 13.6.4 An athlete shall advise the scorers the number of the arrow before it is shot. The scorers shall keep an accurate tally of such arrows.
- 13.6.5 An athlete may not receive verbal or physical assistance with shooting once the athlete has approached the Shooting Line, except the passing of arrows by the athlete's assistant or second, and except in the case of danger.
- 13.6.6 Athletes shall stand with both feet behind the Shooting Line before shooting.
- 13.6.7 If any part of the athlete or the athlete's equipment crosses the Foul Line ahead of an arrow as shot, such shot shall be counted as a shot, but not measured.
- 13.6.8 In the event of equipment failure or breakage, the DoS may allow up to 15 minutes for repairs. After that time the athlete shall forfeit the arrows not then shot in the event.
- 13.6.9 If because of any interference, the DoS determines that an athlete was affected during the act of shooting, the DoS shall allow another arrow to be shot, suitably marked. In that case the original shot shall not be counted.

### **13.7 Scoring**

- 13.7.1 Measurements:
- 13.7.1.1 Measurements should preferably be made with electronic distance measuring equipment operated by a competent person.
- 13.7.1.2 Tolerances for measurement accuracy shall be  $\pm 0.05\%$ . The result sheets shall state the type of measuring instruments employed and the typical accuracy obtained.
- 13.7.1.3 The longest shot in each Class and Division for each athlete shall be measured. No arrow shall be moved without the consent of a Field Assistant/DoS. Arrows shall be removed only by the athlete or under the authority of the athlete.
- 13.7.1.4 The distance of a shot is that distance from the Shooting Line to that point on the central line at which a line at right angles to the central line

passes through the point where the arrow enters the ground; or the point end of the arrow if the arrow has not lodged in the ground.

- 13.7.1.5 The distance so measured shall be reduced to a distance on a horizontal plane if possible.
- 13.7.2 The particulars as to the bow weight, marks and numbers on arrows etc. for each athlete shall be recorded on the result sheets by the scorers before the shooting commences.
- 13.7.3 The scorers shall also record the measured distances as referred to them by the DoS.
- 13.7.4 The length of arrows should also be recorded. The length of the arrow recorded as best distance shall not be longer than the length of the arrows used at bow weigh-in for Limited Division.
- 13.7.5 The results sheets shall then be signed by the scorers and the DoS and handed to the Flight Archery Recorder.
- 13.7.6 In the case of two or more athletes shooting equal distances (to within the measurement tolerance), they shall be declared equal.

## Chapter Fourteen: Novelty Events

---

### 14.

#### 14.1 Wand Shooting

14.1.1 The following rules are suggested for Wand Shoots.

#### 14.2 The Wand Shoot

14.2.1 A Wand Shoot shall consist of 36 arrows divided into 6 ends of 6 arrows. Scoring shall be by hits only.

#### 14.3 Wand Targets

14.3.1 The standard wand shall be a slat of soft wood or other material that will best hold arrows from rebounding. It shall be 5 cm wide, set firmly into the ground and project 2 metres above the ground.

14.3.2 Alternatively, a strip of tape 5 cm wide and 2 metres high may be affixed vertically to a target butt which must start at ground level and project 2 metres above the ground.

#### 14.4 Athletes' Equipment

14.4.1 General

14.4.1.1 Refer to Chapter 8 for athletes' equipment.

#### 14.5 Special

14.5.1 No special equipment is defined for the Wand Shoot.

#### 14.6 Shooting

14.6.1 A witness for each wand may be stationed behind the Shooting Line. The witness shall watch for and report all rebounds. Rebounds shall be counted as hits.

14.6.2 In all other respects Target Archery Shooting Rules shall apply.

#### 14.7 Ties

14.7.1 Ties shall be decided between the athletes tying. They shall shoot another end or ends until the tie is resolved.

#### 14.8 Distances

14.8.1 The recommended distances are:

Categories	Recurve & Compound	Barebow Recurve & Barebow Compound	Longbow	Crossbow
Male & Under 21 Male	90	70	60	70
Female & Under 21 Female	70	60	60	70
50+ Male	70	60	60	70

Categories	Recurve & Compound	Barebow Recurve & Barebow Compound	Longbow	Crossbow
50+ Female	60	60	60	70
60+ & 70+ Male	60	60	60	70
60+ & 70+ Female	60	60	60	70
Under 18 Male	70	60	55	70
Under 18 Female	60	55	55	70
Under 16 Male & Female	55	40	40	50
Under 14 Male & Female	40	40	40	40

## 14.9 Archery Golf

14.9.1 The following rules are suggested for the conduct of Archery Golf competitions.

## 14.10 The Venue

14.10.1 A standard Archery Golf course shall comprise 18 holes on a regulation golf course, or an area arranged in that manner, either of 18 holes or twice round 9 holes.

## 14.11 Venue Equipment

14.11.1 The “hole” shall be a tennis ball so placed that it rests 10 cm above the ground. A wire ring or rubber cup 4 cm in diameter should be used to support the ball. The ball shall be placed to the right of and level with the hole, off the green

14.11.2 There shall be a visible flag, direction, and distance marker at every tee. Flags close to the ball must be visible from the tee, except on dog-legs.

## 14.12 Athletes' Equipment

14.12.1 General

14.12.1.1 Refer to Chapter 8 for athletes' equipment

## 14.13 Special

- Any type of arrow may be used except Broadheads
- The diameter of an arrow shaft shall not exceed 10 mm
- Bow sights are optional, at the discretion of the organisers.

### Warning:

Athletes should be aware that modern equipment (especially Compound Bows and carbon arrows) can give a maximum range greater than the length of many holes on a

golf course. Extreme caution must be taken regarding elevation, particularly during "tee" shots. Athletes are warned to check carefully for and have regard to the safety of other persons who may be within range if an arrow overshoots or, as is likely at close range, skips.

#### **14.14 Shooting**

- Athletes shall shoot in groups of 3 to 5. The assignment to groups shall be in accordance with Target Shooting Rules. The order in which groups are to start shall be determined by the DoS if not already done so by the organising body. The order of shooting in a group shall be determined by the DoS.
- An athlete shall shoot the first arrow at each hole from the tee as marked and each subsequent arrow from the spot where the previous arrow landed, or where the point of the arrow is as it lays if it did not lodge in the ground.
- An athlete may stand or kneel but with both feet behind the mark during the act of shooting. A physically handicapped athlete may shoot from a chair or otherwise in such a position that the whole of the athlete's body is behind the mark.
- One bow only is to be used throughout the competition, provided that if damaged or broken, a substitute may be used.
- Dog-legs shall be followed where local rules specify.
- No athlete shall shoot off from a tee until preceding groups have reached the next tee.
- The athlete furthest from the hole shall shoot first unless otherwise directed by the DoS.
- The winner of the previous hole takes the first shot from the next tee.
- Athletes shall take "Rounds" as directed by the Group Captain in the interests of safety, i.e. shooting from a different angle.
- Any hit to the stand or ball which dislodges the ball is a fair hit. Should an arrow pierce the ball it shall also be a fair hit.
- If an arrow enters the ground within 1 metre of the ball, it shall be considered a hit. An archer must take an extra stroke in this case.
- In the case of a lost or irrecoverable arrow, the Group Captain shall indicate the position for the next shot after 5 minutes searching. The archer shall be penalised 2 strokes.
- An arrow landing in a bunker incurs one penalty stroke.

#### **14.15 Scoring**

- The score shall be the number of arrows shot plus penalty strokes. The lowest score shall win.
- In the event of ties, the Organising Committee shall decide the shoot off procedure.
- To be eligible for awards, each athlete must shoot the prescribed number of holes.
- The Organising Committee shall set the starting time and shall set the deadline for handing completed score cards to the scorers.

**Note:** The current rules of golf and local course regulations shall apply in all cases not covered by these Rules.

#### **14.16 Time Shoot**

14.16.1 A time shoot shall constitute the score made on a standard target (122 cm face) multiplied by the number of arrows, shot one at a time, within thirty seconds. The signal to commence and cease shall be given by the DoS, who shall appoint Field Assistants to check the number of arrows shot by each archer within the time limit.

14.16.2 In all other respects the Target Archery Rules shall apply.

#### **14.17 Archery Darts**

The following rules are recommended for Archery Darts:

##### **14.17.1 Athletes' Equipment**

1. General

Refer to Chapter 8 for athletes' equipment.

2. Special

No special equipment is defined for Archery Darts

#### **14.18 Venue Equipment**

14.18.1 The darts type target face, twice the standard dartboard size set at a shooting distance of 10 metres.

#### **14.19 Shooting**

14.19.1 Normal dart rules, where applicable, shall apply.

14.19.2 Arrows cutting a dividing line shall take the value of the zone containing the greater part of the shaft.

## Book 4: Crossbow Regulations

---

Refer to the current World Crossbow Shooting Association Rules (WCSA) and current Archery Australia Rules for:

- Outdoor Target Archery
- Indoor Target Archery
- Field Archery  
(for WCSA award events, the WCSA Shooting Rules take precedence)

Refer to the current Archery Australia Shooting Rules for:

- Clout Archery

## Chapter Fifteen: Crossbow

---

### 15.

#### 15.1 Introduction

15.1.1 These Rules are designed to regulate Crossbow shooting domestically within Australia, under the auspices of Archery Australia Inc.

#### 15.2 Glossary of Terms

##### **Arbalest**

Includes Arbalist

##### **Athlete**

A person who shoots a bow of any description, and is affiliated with Archery Australia Inc, and may include the descriptive term “arbalest” of either gender and any age group

##### **Athlete with a Disability - Assisted Arbalest**

An athlete with a permanent physical disability and requiring assistance to shoot, load, hold or span the bow or to stand on the shooting line. This includes wheelchair athletes

##### **Athlete Assistant**

An assistant to a disabled crossbow athlete /assisted arbalest

##### **Bolt**

The projectile shot from a crossbow (also arrow) - part of an arbalest’s “equipment” refer to WCSA Rules

##### **Butt**

The target backstop

##### **Catch**

That part of the trigger mechanism which holds the string of a spanned crossbow (also latch, claw or dogs)

##### **Category**

The combination of a Division and Class

##### **Class**

An age group



**Cock (to)**

The act of pre-setting a set-trigger mechanism, preparatory to spanning the crossbow

**Crossbow<sup>60</sup>**

A Target, Sporting or Medieval Crossbow which meets the specifications of the WCSA Rules

**Division**

While Archery Australia uses this term for bow types, the WCSA uses this term for age groups (Class)

In the interests of consistency with these Rules, "Division", when used within these Rules, refers to the Archery Australia descriptive term for the bow type, in this case the Target Crossbow Division allowed under its Rules

**Load**

The act of placing a bolt into a spanned Crossbow

**Prod**

That part of the Crossbow which stores energy to be released to propel the bolt (also bow-limbs, and bow)

**Rebound**

A bolt which has hit the surface of the butt/target face and bounced back from the target

**Relay**

That group of shooters currently shooting together

**Set-trigger**

A trigger mechanism that has two separate levers; the first lever activates the catch mechanism of the trigger and the second lever (trigger), when depressed, releases the catch mechanism

**Span**

The act of drawing the string of a braced Crossbow to engage the catch

**Sporting Crossbow<sup>61</sup>**

A mass-produced Crossbow that complies with the WCSA Rules as a Sporting Crossbow

**Target Crossbow<sup>62</sup>**

A Crossbow that complies with the WCSA Rules as a Target Crossbow

**Medieval Crossbow<sup>63</sup>**

A Crossbow that complies with the WCSA Rules as a Medieval Crossbow

---

<sup>60</sup> See Clause 15.6

<sup>61</sup> See Clause 15.6

<sup>62</sup> See Clause 15.6

<sup>63</sup> See Clause 15.6

### **Weapons Permit**

Any permit, Shooters' Licence or other official paperwork required of an Arbalest under any Federal, State or Territory or Local Government legislation, including policies, to legally possess, acquire, store, shoot or transport a Crossbow throughout a State or Territory of Australia. The Weapons Permit is required to be carried when using or transporting the crossbow and produced at bow scrutineering at competitions

### **World Crossbow Shooting Association**

The International governing body for Crossbow shooting and to which Archery Australia Inc is affiliated (abbreviated as WCSA).

## **15.3 Disciplines**

15.3.1 Crossbow competitions are classified in the following Disciplines:

- Outdoor Target
- Indoor Target
- Field
- Clout

15.3.2 Wherever possible, these Rules encourage the integration of all arbalests onto the general shooting line.

## **15.4 Classes**

15.4.1 The Association recognises the following Classes of competition:

- Female (Open age)
- Male (Open age)
- <sup>64</sup>Assisted Female (Open age)
- Assisted Male (Open age)
- 50+ Female (50-59 years)
- 50+ Male (50-59 years)
- 60+ Female (60-69 years)
- 60+ Male (60 -69 years)
- 70+ Female (70 years +)
- 70+ Male (70 years +)
- Under 21 Female
- Under 21 Male

## **15.5 Divisions**

15.5.1 The following Divisions are recognised for Outdoor Target, Indoor Target, Field and Clout Archery competition, classifications, and records:

- Target Crossbow Division for equipment as specified in WCSA Rules

---

<sup>64</sup> Assisted Female & Male added, effective 1 January, 2018

## 15.6 Arbalest Equipment

- 15.6.1 Refer to WCSA Rules. While Sporting Crossbow and Medieval Crossbow are recognised by WCSA, within these Rules they are included as alternative equipment types for interest only. Target Crossbow is the only Crossbow Division recognised for National competition, records, awards, and classifications

## 15.7 Arbalest Classification

### 15.7.1 General

- 15.7.1.1 There shall be ten Classification levels:

• Elite Gold	• Elite Silver
• Elite Bronze	• Grand Master Bowman (GMB)
• Master Bowman (MB)	• Gold
• Red	• Blue
• Black	• White

- 15.7.1.2 Classifications are available for Outdoor & Indoor Target, Field and Clout.

- 15.7.1.3 The performance relevant for each Classification shall be adopted from that stated in Schedule 15E.

- 15.7.1.4 An arbalest upon Classification or upon re-classification shall be entitled to wear the Classification badge for that Class.

- 15.7.1.5 Arbalests attaining Elite Gold, Elite Silver, Elite Bronze, Grand Master Bowman or Master Bowman Classification shall re-qualify each calendar year to obtain the Classification award/s for that year.

- 15.7.1.6 The Rating Table has been determined using the formula developed by Archery Australia and held by the Archery Australia CEO.

### 15.7.2 Classification Organisation and Responsibilities

- 15.7.2.1 Refer to Rule 4.2.2 Organisation.

### 15.7.3 Outdoor Target Archery:

- 15.7.3.1 To attain an Outdoor Target Archery Classification an arbalest must shoot during the calendar year and under Archery Australia and/or World Archery and/or WCSA Rules, three Target Archery Rounds from those listed in Schedule 15A at equal to, or higher than, the required rating levels listed in Schedule 15E.1 and obtained using The Archer's Diary Rating Calculator or such other calculator, as approved by the Board from time to time..

### 15.7.3.2 Gold, Red, Blue, Black or White Classification:

- These awards can be claimed shooting any round in Schedule 15A with a minimum of 48 bolts.
- To claim these awards the score can be shot in an open tournament, QRE or a shoot organised by a club and listed on the club's calendar.

- These awards can only be claimed once for each class and division.
- Any distance may be shot to claim these awards

### 15.7.3.3

Master, Grand Master, Elite Bronze, Elite Silver, or Elite Gold Awards:

- Master and Grand Master awards can be claimed annually with a minimum of one round being shot in an open tournament or QRE
- Elite Bronze, Elite Silver and Elite Gold awards can be claimed annually with a minimum of three rounds shot in open tournaments or QREs
- Each open tournament or QRE shall consist of 48 bolts or more, the round shall include at least 24 bolts at a distance as listed below or longer
- The table below provides the maximum face sizes required in rounds to gain a Classification.

**TARGET CROSSBOW:**

- Male, Female, Assisted (Open age), 50+, 60+, 70+, Under 21, - 50 metres – 60cm Target Face.

15.7.3.4 The table hereunder provides the distances and maximum face sizes required in rounds used to gain a Classification.

<i>Rounds</i>	<i>Distance</i>	<i>Face Size</i>
Any round with a distance over -	<b>70 m</b>	80 cm
Any round with a distance equal to or under -	<b>70 m</b>	60 cm and/or 40 cm

15.7.3.5 There must be at least three current financial affiliates (members) of Archery Australia participating in the shooting and scoring process.

For target:

- If there are only two arbalests on the target a third person may include an athlete from an adjoining target, or the DOS, a Judge or QRE official or a person authorised by the DOS, a Judge or QRE official, to accompany the arbalests for the purpose of witnessing the scoring and/or scoring; or
- If there is only one arbalest on the target, two persons may include athletes from adjoining targets, or the DOS, a Judge or QRE official or persons authorised by the DOS, a Judge or QRE official, to accompany the arbalest for the purpose of witnessing the scoring and/or scoring.

### 15.7.4 Indoor Target Archery

15.7.4.1 To attain an Indoor Target Archery Classification an arbalest must shoot during the calendar year and under Archery Australia and/or World Archery and/or WCSA Rules, three rounds from those listed in Schedule 15B at equal to or better than the ratings listed in Schedule 15E.1 and obtained using The Archer's Diary Rating Calculator or such other calculator, as approved by the Board from time to time.

15.7.4.2 The full 10-zone is to be used (no Inner-10).

15.7.4.3 Gold, Red, Blue, Black and White Awards:

- To claim these awards the score can be shot in an open

tournament, QRE or a shoot organised by a Club and listed in the Club calendar

- These awards can only be claimed once for each class and division.

#### 15.7.4.4 Master, Grand Master, Elite Bronze, Elite Silver and Elite Gold Awards

- Master and Grand Master awards can be claimed annually with a minimum of one round being shot in an open tournament or QRE
- Elite Bronze, Elite Silver and Elite Gold awards can be claimed annually with a minimum of three rounds shot in open tournaments or QREs.

15.7.4.5 There must be at least three current financial affiliates (members) of Archery Australia participating in the shooting and scoring process. For indoor:

- If there are only two arbalests on the target this third person may include an athlete from an adjoining target, or the DOS, a Judge or QRE official or a person authorised by the DOS, a Judge or QRE official, to accompany the arbalests for the purpose of witnessing the scoring and/or scoring; or
- If there is only one arbalest on the target, two persons may include athletes from adjoining targets, or the DOS, a Judge or QRE official or a person authorised by the DOS, a Judge or QRE official, to accompany the arbalest for the purpose of witnessing the scoring and/or scoring.

#### 15.7.5 Field Archery

15.7.5.1 To attain a Field Archery Classification, an arbalest must shoot during the calendar year and under Archery Australia and/or World Archery and/or WCSA Rules three field rounds equal to or higher than the ratings in Schedule 15E.1 and obtained using The Archer's Diary Rating Calculator or such other calculator, as approved by the Board from time to time.

#### 15.7.5.2 Gold, Red, Blue, Black and White awards

- To claim these awards the score can be shot in an open tournament, QRE or a shoot organised by a Club and listed in the Club calendar
- These awards can only be claimed once for each class and division.

#### 15.7.5.3 Master, Grand Master, Elite Bronze, Elite Silver and Elite Gold awards

- Master and Grand Master awards can be claimed annually with a minimum of one round being shot in an open tournament or QRE
- Elite Bronze, Elite Silver and Elite Gold awards can be claimed annually with a minimum of three rounds shot in open tournaments or QREs. One of these rounds must be shot at a RGB Championships, the Nationals, Youth Nationals, or an international tournament.

Field classifications may be achieved for the WA Field Archery Rounds where a minimum of 12 targets and a maximum of 24 targets are shot – either Marked or Unmarked.

Rounds containing 12 targets Marked, plus 12 targets Unmarked, will also be recognised for Classification purposes.

15.7.5.4 There must be at least three current financial affiliates (members) of Archery Australia participating in the shooting and scoring process. For field:

- this third person may be a person authorised by the Chair of Judges or QRE official to accompany the athletes, for the purpose of witnessing scoring.

#### 15.7.6 Clout Archery

15.7.6.1 To attain a Clout Archery Classification, an arbalest must shoot during the calendar year and under Archery Australia and/or World Archery Rules three clout rounds equal to or higher than the scores in Schedule 15E.2 from the distances as listed in Schedule 15C.

15.7.6.2 Gold, Red, Blue, Black and White awards:

- To claim these awards the score can be shot in an open tournament, or a shoot organised by a club and listed in the club calendar
- These awards can only be claimed once for each class and division.

15.7.6.3 Master, Grand Master, Elite Bronze, Elite Silver and Elite Gold awards:

- Master and Grand Master awards can be claimed annually with a minimum of one round being shot in an open tournament
- Elite Bronze, Elite Silver and Elite Gold awards can be claimed annually with a minimum of three rounds shot in open tournaments.

### 15.8 Special Provisions

15.8.1 The following special provision is adopted for domestic Crossbow competition:

- Where a permanent disability or illness requires an Arbalest to wear a surgical support, or prosthesis, its use is subject to the provision of a medical certificate.

### 15.9 An Arbalest's Responsibility for Safety

15.9.1 An athlete shall not place others at risk by careless or lax shooting attitudes and poor tackle maintenance habits.

### 15.10 Arbalests shall not:

- use any equipment that is unsafe
- shoot upwards into the air (except during clout rounds or flight)
- point a bow, loaded or otherwise, except at the target provided.

## 15.11 Records

15.11.1 The Association recognises that any combination of target face and distance can constitute an event, however, only those rounds listed in Schedule S15D.1 may be used as the basis for an Association record claim. A variety of standard combinations is given in Schedule S15A for information.

## 15.12 Outdoor Target

15.12.1 Special provisions – Range Layout

15.12.1.1 A minimum space of one metre per arbalest on the shooting line shall be guaranteed.

15.12.2 For the following matters, refer to WCSA Rules:

- Range Layout
- Targets
- Target Faces
- Shooting Control and Safety
- Order of Shooting and Timing Control
- Shooting
- Scoring and Ties.

Practice may, at the discretion of the club or tournament organisers, also be made available at each distance change (1 end of 3 bolts in 5 minutes). All practice shall be conducted under the control of the DOS.

Where the rounds in Schedule 15A.1 are shot in conjunction with archers, the World Archery shooting time limit will apply.

## 15.13 Indoor Target

15.13.1 For rules of indoor target archery, which may not be covered in this Chapter or in Chapter Ten, refer to WCSA Rules.

15.13.2 Rounds

15.13.2.1 The Association recognises that any combination of target face and distance can constitute an event, however, only those rounds listed in Schedule S15D.2 may be used as the basis for an Association record claim.

15.13.3 Shooting Control and Safety

15.13.3.1 Arbalests may span, load and raise, but not shoulder or aim the Crossbow, (it must be pointed at the ground, in the direction of the arbalest's designated target and held in a safe position) while on the shooting line and before the commencement to shoot signal is given.

15.13.4 Shooting

15.13.4.1 Practice may, at the discretion of Club or Organising Committee, also be made available at each distance change (1 end of 3 bolts in 5 minutes). All practice shall be conducted under the control of the DOS.

## 15.14 Field

15.14.1 For rules of field archery, which may not be covered in this Chapter or Chapter Eleven, refer to WCSA Rules.

15.14.2 Arbalests shooting World Archery field archery rounds shall shoot from the red pegs.

### **15.15 Clout**

15.15.1 Refer to Chapter Twelve.

15.15.1.1 Only those distances shown in Schedule 15C may be used for classification purposes and Association record claims.

15.15.2 Arbalest equipment

15.15.2.1 Only the following variations to crossbow equipment is allowed for crossbows:

- bolts may be fitted with field points
- a bow sight, bowmark or point of aim on the ground for aiming is permitted as described in Rule 12.4.1.2

15.15.3 Shooting

15.15.3.1 If a time limit is imposed, it may, at the discretion of the club or Organising Committee, be increased from four minutes to six minutes for six bolts, or from two minutes to three minutes for three bolts.



## SCHEDULE 15A OUTDOOR TARGET ROUNDS

As AA target rounds contain several similar rounds with only different face sizes, the Crossbow Rounds listed in **this Schedule** have been rationalised to avoid confusion. Rounds with an X prefix are modified AA target rounds for crossbow.

The face sizes nominated are to be used for all record and classification purposes.

### Schedule S15A.1 Crossbow: Target Rounds

Rounds	Total Bolts	Number of Bolts at Each Distance												Possible Score
		Distance (metres)												
		90	70	65	60	55	50	45	40	35	30	25	20	
Australian 960	96		24*		24*		24*				24#			960
X-Long Sydney	120	30+	30+		30+		30+							1200
X-Sydney	120		30*		30*		30*		30*					1200
X-Brisbane	120		30+		30+		30*		30*					1200
X-Long Brisbane	120	30+	30+		30*		30*							1200
X-Adelaide	120				30*		30*		30#		30#			1200
X-Short Adelaide	120						30*		30*		30#		30#	1200
X-Hobart	90	30+	30+				30*							900
X-Perth	90		30+		30*		30*							900
X-WA 60/900	90				30*		30*		30*					900
TC900	90			30*		30*		30*						900
X-Short Canberra	90						30*		30*		30*			900
X-Junior Canberra	90								30*		30*		30*	900
<sup>65</sup> X-Long65	90			90*										900
X-Medium55	90					90*								900
X-Short45	90							90*						900
<sup>66</sup> X-Grange	90				90*									900
<sup>67</sup> X-Melbourne	90						90*							900

<sup>65</sup> X-Long 65 face size changed, effective 1 January, 2018

<sup>66</sup> X-Grange face size changed, effective 1 January, 2018

<sup>67</sup> X-Melbourne face size changed, effective 1 January, 2018

Rounds	Total Bolts	Number of Bolts at Each Distance												Possible Score
		Distance (metres)												
		90	70	65	60	55	50	45	40	35	30	25	20	
X-Darwin	90								90*					900
X-Samford	90								90#					900
X-Geelong	90										90*			900
X-Newcastle	90												90*	900
X-Holt	90						90#							900
<sup>68</sup> X-Drake	90										90#			900
X-Wollongong	72	36+	36+											720
X-Townsville	72		36+		36*									720
X-Launceston	72						36*				36*			720
X- 70/720	72		72+											720
X 60/720	72				72*									720
X-50/720	72						72*							720
X-50/480	48						48*							480
<b>Legend</b>		+ 80 cm diameter target face												
		* 60 cm diameter target face												
		# 40 cm diameter target face												
<i>Other "Short" and "Junior" rounds may be created by reducing distances by 10m and 20m respectively.</i>														

<sup>68</sup> X-Drake face size changed, effective 1 January, 2018

**SCHEDULE 15B INDOOR TARGET ROUNDS**

The following Indoor Rounds are approved for crossbow competition in Australia:

Rounds	Total Bolts	Number of Bolts @ Each Distance		
		Distance (metres)		Possible Score
		25	18	
WA 18m Indoor	60		60+	600
WA 25m Indoor	60	60*		600
WA Combined Indoor	120	60*	60+	1200
Australian Indoor 1	30		60+	300
Australian Indoor 2	30	30*		300
Australian Combined Indoor 1 & 2	60	30*	30+	600
WCSA 18m Indoor (TC600/25)	60		60^	600
WCSA 18m Indoor (TC600/40)	60		60+	600

**Legend:** \* = 60cm diameter target face += 40cm diameter target face ^ = 25cm diameter target face

**SCHEDULE 15C CLOUT ROUNDS**

The following Clout Rounds are approved for crossbow competition in Australia.

**Target Crossbow**

Male – all Classes	180 m	Female – all Classes	180 m
--------------------	-------	----------------------	-------

*Note: all rounds indicated may comprise Single or Double Clout Rounds*

**SCHEDULE 15D ROUNDS FOR WHICH RECORDS MAY BE SHOT**

**Schedule S15D.1 OUTDOOR TARGET**

Event	Open		Assisted Open		50+		60+ & 70+		Under 21	
	Male	Female	Male	Female	Male	Female	Male	Female	Male	Female
Target Rounds										
TC900	T	T	T	T	T	T	T	T	T	T
X-WA 60/900	T	T	T	T	T	T	T	T	T	T
Australian 960	T	T	T	T	T	T	T	T	T	T
X-50/480	T	T	T	T	T	T	T	T	T	T

Legend T = Target Crossbow

## Distance records shot as part of a TC900 round

Event	Open		Assisted Open		50+		60+ & 70+		Under 21	
	Male	Female	Male	Female	Male	Female	Male	Female	Male	Female
Distances 30 bolts, 60cm face										
65m	T	T	T	T	T	T	T	T	T	T
55m	T	T	T	T	T	T	T	T	T	T
45m	T	T	T	T	T	T	T	T	T	T

Legend T = Target Crossbow

## Distance records shot as part of an Australian 960 round

Event	Open		Assisted Open		50+		60+ & 70+		Under 21	
	Male	Female	Male	Female	Male	Female	Male	Female	Male	Female
Distances 24 bolts, 60cm face										
70m	T	T	T	T	T	T	T	T	T	T
60m	T	T	T	T	T	T	T	T	T	T
50m	T	T	T	T	T	T	T	T	T	T
Distances 24 bolts, 40cm face										
30m	T	T	T	T	T	T	T	T	T	T

Legend T = Target Crossbow

**Schedule S15D.2 INDOOR TARGET****Tournament Records – Indoor Target**

Event	Open		Assisted Open		50+		60+ & 70+		Under 21	
	Male	Female	Male	Female	Male	Female	Male	Female	Male	Female
18m WA Indoor	T	T	T	T	T	T	T	T	T	T
25m WA Indoor	T	T	T	T	T	T	T	T	T	T
Combined WA Indoor	T	T	T	T	T	T	T	T	T	T
Australian Indoor 1 (18m)	T	T	T	T	T	T	T	T	T	T
Australian Indoor 2 (25m)	T	T	T	T	T	T	T	T	T	T
Combined Australian Indoor 1 & 2	T	T	T	T	T	T	T	T	T	T

Legend T = Target Crossbow

**Schedule S15D.3 CLOUT**

**Tournament Records – Clout**

Clout records may be claimed for single (36 arrows) and double (72 arrows) rounds for all Divisions from the following distances:

Event	Open		Assisted Open		50+		60+ & 70+		Under 21	
	Male	Female	Male	Female	Male	Female	Male	Female	Male	Female
180m	T	T	T	T	T	T	T	T	T	T

Legend T = Target Crossbow

**Schedule S15D.4 FIELD**

**Tournament Records – Field**

National Field (28T)	Divisions (Target Crossbow) Arbalests shoot from the pegs in the table shown below. (Hunters Round – All Arbalests shoot from the same peg – no different coloured pegs or distances)
WA Field (2 x 24T Marked) WA Field (24T Marked) WA Field (24T Unmarked)	Divisions (Target Crossbow) Arbalest shoot from the pegs in the table shown below

Class	Target Crossbow
Open - Male & Female	Red
Assisted Open – Male & Female	Red
50+ – Male & Female	Red
60+ – Male & Female	Red
70+ – Male & Female	Red
Under 21 – Male & Female	Red

## SCHEDULE 15E CROSSBOW CLASSIFICATION RATINGS

### Schedule S15E.1 TARGET/FIELD

The following tables give the rating indexes for Arbalest target, indoor and field classifications.

#### Target Crossbows (Outdoor, Indoor & Field Ratings):

CLASS	Elite Gold	Elite Silver	Elite Bronze	Grand Master	Master	GOLD	RED	BLUE	BLACK	WHITE
Male & Assisted	110	105	100	95	90	85	75	65	55	45
Female & Assisted	105	100	95	90	85	75	65	55	45	35
50+ & 60+ & 70+ Male	105	100	95	90	85	75	65	55	45	35
50+ & 60+ & 70+ Female	100	95	90	85	80	75	65	55	45	35
Under 21 Male	105	100	95	90	85	75	65	55	45	35
Under 21 Female	100	95	90	85	80	75	65	55	45	35

### SCHEDULE S15E.2 CLOUT

15.15.4 The appropriate ratings for all Classes and Target Crossbow are based on scores (single 10-ring Clout Round) shot over distances as listed in Schedule 15C, Clout Rounds.

The appropriate scores are as follows:

#### Classifications:

Elite Gold	335
Elite Silver	325
Elite Bronze	315
GMB	305
MB	285
Gold	265
Red	245
Blue	225
Black	195
White	175

## SCHEDULE 15F CROSSBOW RATING TABLES

(Refer to The Archer's Diary)

## Schedule of Amendments

### Amendments approved for 2022 version

---

- |         |                                                                                                                                                                                                                                                                                                                                                                                                                                                                                           |
|---------|-------------------------------------------------------------------------------------------------------------------------------------------------------------------------------------------------------------------------------------------------------------------------------------------------------------------------------------------------------------------------------------------------------------------------------------------------------------------------------------------|
| Various | Class names changed: <ul style="list-style-type: none"> <li style="width: 33%;">• Cub to <i>Under 14</i></li> <li style="width: 33%;">• Intermediate to <i>Under 16</i></li> <li style="width: 33%;">• Cadet to <i>Under 18</i></li> <li style="width: 33%;">• 20&amp;Under to <i>Under 21</i></li> <li style="width: 33%;">• Master (50-59 years) to <i>50+</i></li> <li style="width: 33%;">• Veteran to <i>60+</i></li> <li style="width: 33%;">• VeteranPlus to <i>70+</i></li> </ul> |
| 8.4     | Crossbow Equipment – deleted (This is a duplication of 8.1.1)                                                                                                                                                                                                                                                                                                                                                                                                                             |
| 12.6.7  | Added “In the event of the failure of an athlete’s equipment, the athlete shall indicate the matter to a Judge or the DoS and leave the shooting line to carry out repairs. Subject to 12.6.1, the athlete shall <b>not</b> be permitted to make up any un-shot arrows resulting from the equipment failure.”                                                                                                                                                                             |

### Amendments approved for 2021 version

---

- |             |                                                                                                                                              |
|-------------|----------------------------------------------------------------------------------------------------------------------------------------------|
| Chapter 3   | Requirements for National Championships set aside for 2022                                                                                   |
| Schedule 9A | Mini Canberra & AA20/720 rounds added<br>VI Outdoor and VI 30m rounds (already eligible for records) included in the official rounds listing |
| 12.3.1.2    | Clout – wording improved re: scoring zones                                                                                                   |
| 7.19.3      | Added new clause requiring the names of officials be added to events in the electronic scoring system                                        |

### Amendments approved for 2020 version

---

- |             |                                                                                                               |
|-------------|---------------------------------------------------------------------------------------------------------------|
| Sched 4.B.1 | Added Barebow and WABB50/720 Round for Tournament Records – Outdoor Archery and deleted Barebow from WA60/720 |
| Sched 9A    | Added WABB50/720 Round                                                                                        |
| 7.4.1.4     | Minimum of 6 entrants from two Clubs in an open tournament or minimum of 10 from one Club                     |
| Chapter 15  | (Crossbows) Revised and replaced                                                                              |

### Amendments approved for 2019 version

---

- |        |                                                                     |
|--------|---------------------------------------------------------------------|
| 4.3.1. | The Archer’s Diary Calculator added to determine changes to ratings |
| 12.2.9 | Added 80 metres overshoot zone                                      |

